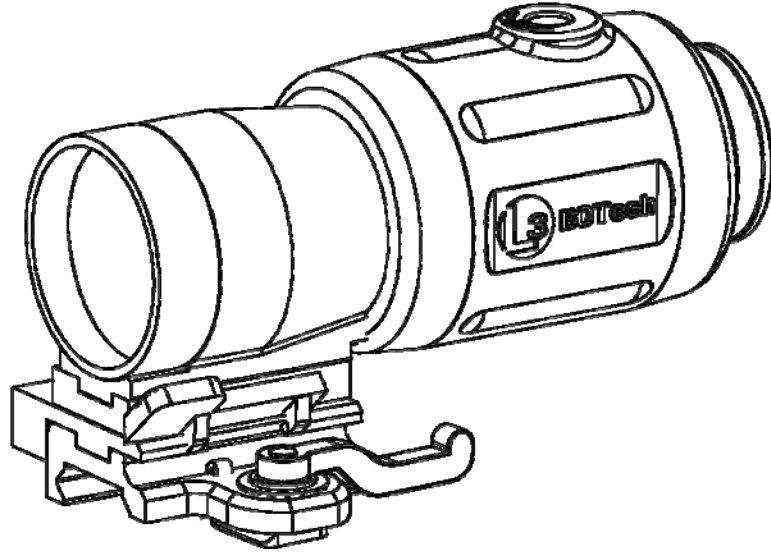


# L-3 EOTech Magnifier User Manual



**For use with G23 Magnifiers or MPO Systems**

## INTRODUCTION

Thank you for purchasing L-3 EOTech's new Generation II 3X magnifier. These magnifiers offer users of the Holographic Weapon Sight (all models) the additional advantage of vastly improved target recognition and increased lethality at medium range distances. The Flip to Side mount allows the user the ability to engage the enemy with confidence in a Close Quarters Combat (CQB) situation or at distances out to 600 meters or more. This user manual describes the features of the L-3 EOTech Magnifiers and provides information on their use and maintenance. **Please read the instructions carefully before mounting and using the magnifiers. Always practice proper firearm safety.**

### Included:

• 3x Magnifier • Flip to Side Mount • 7mm Riser • 4 Screws • Thread Locker • Adjustment tool

### SPECIFICATIONS:

#### 3x Magnifier

Magnification Fixed: 3.25X  
Eye Relief: 1.97" (50mm)  
Field of View: 6 degrees  
Length: 4.4" (113mm)  
Weight: 6.5oz (184 grams)  
Temperature: -20 to 140 F  
Waterproof: 33 ft.  
Sealing: Fogproof internal optics  
Finish: Non reflective black/ Rubber coated  
Retrofits to all HWS models with 7mm riser  
Optical Axis Adjustment: Internal adjustment

#### Flip to Side Mount

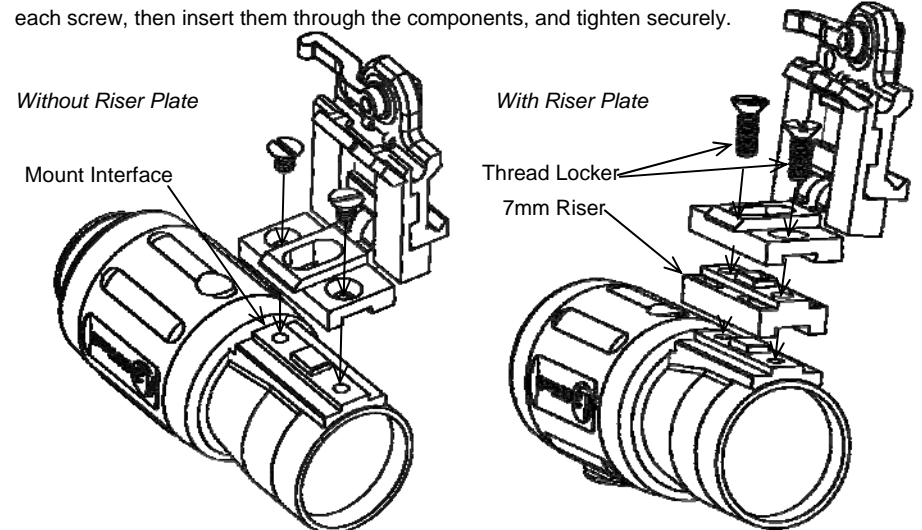
Length: 1.6" (40.6mm)  
Height: 1.64" (41.65mm) Clears common low profile flip up rear iron sights  
Weight: 4.5oz (128 grams)  
Color/Finish: Non reflective black with hard coat finish.  
Flip Orientation: Ambidextrous mount Flip Orientation to allow left or right flip  
Rail Interface: MIL-STD-1913 with Quick Detach lock  
Magnifier Interface: User configurable height with quick detach mount

## OPTIC CONFIGURATION

The L-3 EOTech Holographic Weapon Sight (HWS) product line has two different heights above the rail based on user preference. For this reason, the magnifier does not come preassembled to the mount. It is user configurable based on the specific model HWS it will be mounted behind. The 7mm riser, included, may be required to align the magnifier optical axis with the sight. Only HWS models 553, 555, 556, 516, 557 and 517 require the use of the riser. For all other HWS models, the riser should not be used.

The magnifier system can be configured to flip to the left or to the right based on shooting preference. Typically, right handed shooters prefer the mount to flip to the left, and left handed shooters to the right.

To configure your HWS you will need a screwdriver (not included). If the spacer is not used, the shorter screws should be selected. The longer screws are used with the spacer only. If the spacer is being used, place the spacer on the optic mounting interface. Open the flip mount. Position the mount on the optic mount interface (or riser) so it opens either to the left or right (based on preference). Using the thread locker enclosed, place a drop of thread locker onto each screw, then insert them through the components, and tighten securely.



## BASIC OPERATION

The Generation II 3x magnifier is designed to be used behind an L-3 EOTech Holographic Weapon Sight (HWS). The magnifier can be mounted directly behind the HWS. Simply flip the magnifier out of the way and operate the sight. When used with HWS models 557, 556, 517, or 516 HWS (with side button interface) the user can easily operate the sight even with the magnifier in the locked position.

### Positioning the Reticle:

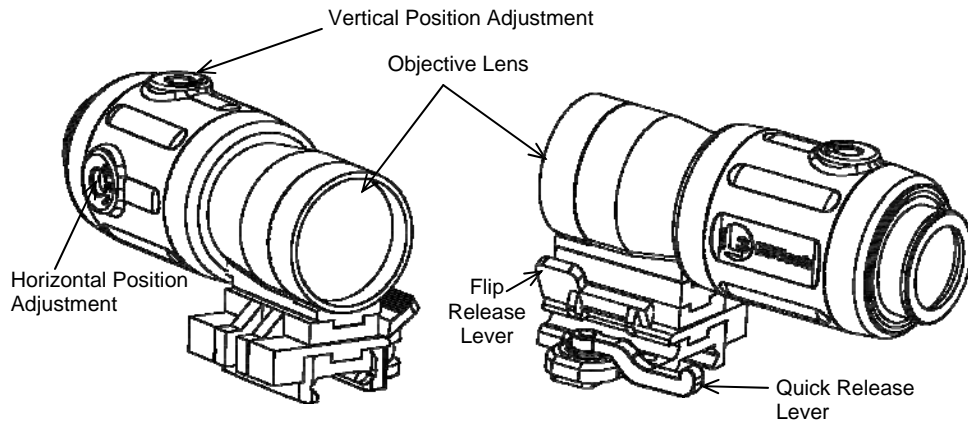
Once the magnifier is installed properly behind the HWS, **it may be necessary to re-zero the sight.** This may be due to the shooter's ability to see the target and Point of Impact (POI) more accurately than without the magnifier. Re-zeroing the sight will prevent a perceived shift in POI when going from no magnification to magnification.

**RELEASED**

After zeroing or re-zeroing the sight, it may be necessary to reposition the reticle image into the center of the magnifier window. This is aesthetic in nature and has no affect on the sight's zero. Turn the horizontal and vertical adjustments on the top or side of the magnifier with the adjustment tool provided or a flat head screwdriver to reposition reticle to the desired position.

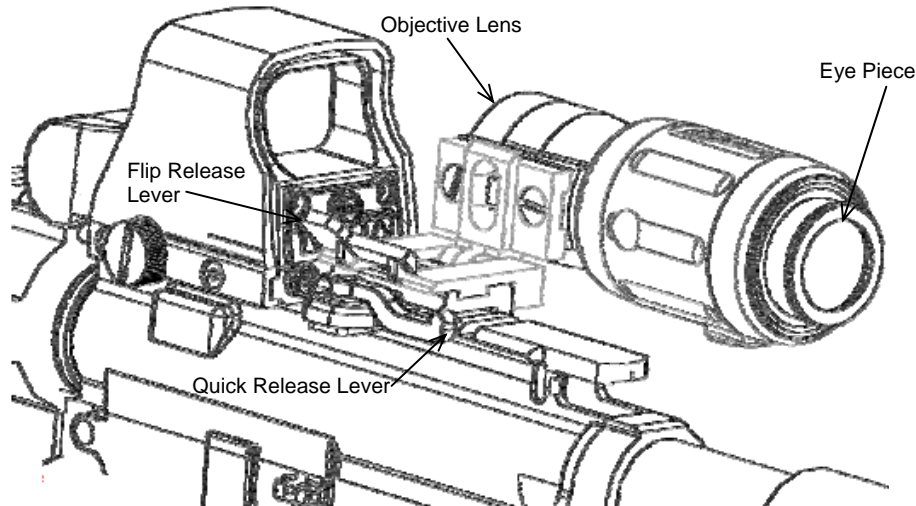
**Flip operation:**

To flip the magnifier to the side, simply push down on the silver release lever. To close the mount, push the magnifier back into its original position until the release lever catches.



**INSTALLATION**

To install the configured the magnifier onto the weapon, open the quick release lever. Place the mount in the desired position behind the HWS. Once the mount is located in the desired position, push the magnifier forward until the alignment tabs of the magnifier are set into the slot located on the mount. Close the quick release lever.



**RAIL COMPATIBILITY**

Certain commercial variants of the mil-std-1913 rail specification may not be compatible with the flip-to-side mount. The flip-to-side mount consists of an ARMS® throw lever and is only adaptable to rails that properly accept the ARMS® design.

**MAINTENANCE**

Maintenance of the magnifier is limited to cleaning of the outside housing of the optic and cleaning the lenses. The optical system is coated with anti-reflection material. When cleaning the glass surfaces, first blow away any dirt and dust. Fingerprints and lubricants can be wiped off with lens tissue or a soft cotton cloth which is moistened with lens cleaning fluid or glass cleaner, sold in any camera store. Never clean the glass surface with a dry cloth or paper towel; always dampen the glass surfaces prior to cleaning.

No maintenance is needed on the magnifier's surface, except to occasionally wipe off with a soft cloth. Use only a water-based cleaner such as glass cleaner, ammonia, or soap and water. Never use any solvent-type cleaner such as alcohol or acetone.

**Never disassemble your magnifier!** The optical cavity is purged, nitrogen filled, and sealed to achieve fog proof performance. Disassembly will void the warranty and damage the sight.

If the flip action of the Flip to Side mount begins to stick from wear, use a common spray lubricant on the hinge portion of the mount. No other maintenance is needed on the Flip to Side Mount other than cleaning the surface. Please follow the same guidelines when cleaning the magnifiers.

**WARRANTY**

L-3 EOTech warrants every product to be free from defects in materials and workmanship for a period of two years from the original date of purchase. L-3 EOTech will promptly repair or replace, at its option, any product that is defective in material or workmanship, without charge. All costs associated with the product shipment for product repair will be incurred by the owner. This warranty does not cover defects caused by improper handling, unauthorized disassembly, installation, or maintenance; abnormal use; or unapproved alterations. L-3 EOTech shall not, in any event, be liable for any damages, including any lost profits, lost savings, or other incidental or consequential damages arising out of the use or inability to use such products. See L-3 EOTech's Standard Terms and Conditions for complete details.

**FACTORY CONTACTS**

Warranty and Service Department..... (734) 572-2178  
 Shipping Address: L-3 Communications EOTech, Inc.  
 1201 E. Ellsworth Rd.  
 Ann Arbor, MI 48108  
 USA

EMAIL.....general@L-3com.com  
 Visit us on the web.....www.L-3com.com/EOTech

**The G23 is controlled under the Export Administration Regulations (EAR) ECCN 0A987, and may not be exported to a foreign person, either in the U.S. or abroad, without a license or exception from the U.S. Department of Commerce.**

**RELEASED**