

FIELD MANUAL  
NO. 23-35

\*FM 23-35  
HEADQUARTERS  
DEPARTMENT OF THE ARMY  
Washington, DC, 3 October 1988

## COMBAT TRAINING WITH PISTOLS AND REVOLVERS

**DISTRIBUTION RESTRICTION:** Distribution authorized to US Government agencies and their contractors to protect technical or operational information from automatic dissemination under the International Exchange Program or by other means. This protection applies to publications required solely for official use and for those containing valuable technical or operational information. This determination was made on 15 October 1987. Other requests for this document will be referred to Commandant, US Army Infantry School, ATTN: ATSH-IN-S3, Fort Benning, GA 31905-5593.

**DESTRUCTION NOTICE--**Destroy by any method that will prevent disclosure of contents or reconstruction of the document.

\*This publication supersedes FM 23-35, 24 September 1971.

## PREFACE

This manual provides guidance on the operation and marksmanship of the pistol, M9, 9-mm; pistol, M1911A1, caliber .45; and the revolver, caliber .38. It reflects current Army standards in weapons qualifications. It is a guide for the instructor to develop training programs, plans, and lessons that meet the objectives of the United States Army Marksmanship Program for developing combat effective marksmen. The soldier develops confidence, knowledge, and skills by following the guidelines in this manual.

The proponent of this publication is HQ TRADOC. Submit changes for improving this publication on DA Form 2028 (Recommended Changes to publications and Blank Forms) and forward it to Commandant, US Army Infantry School, ATTN: ATSH-IN-S3, Fort Benning, GA 31905-5593.

Unless otherwise stated, whenever the masculine gender is used, both men and women are included.

## Contents

	<u>Page</u>
Preface.....	ii
Chapter 1. US Army Handguns.....	1-1
Chapter 2. Marksmanship Training.....	2-1
Section I. Basic Marksmanship.....	2-1
Section II. Combat Marksmanship.....	2-16
Section III. Coaching and Training Aids.....	2-26
Section IV. Safety.....	2-37
Appendix A. Combat Pistol Qualification Course..	A-1
Appendix B. Alternate Pistol Qualification Course.....	B-1
Appendix C. Revolver Qualification Course.....	C-1
Appendix D. Alternate Revolver Qualification Course.....	D-1
Appendix E. Training Schedules.....	E-1
Appendix F. Reproducible Forms.....	F-1
Glossary.....	Glossary-1
References.....	References-1

CHAPTER 1  
US ARMY HANDGUNS

1-1. PISTOL, SEMIAUTOMATIC, 9-MM, M9

The M9 pistol is a 9-mm semiautomatic, magazine-fed, recoil-operated, double-action weapon chambered for the 9-mm cartridge. The magazine has a 15-round capacity.

a. Equipment Data.

Caliber	-----	9-mm NATO
System of Operation	--- ---	Short recoil, semiautomatic
Locking System	-----	Oscillating block
Length	-----	217 mm (8.54 inches)
Width	-----	38 mm (1.5 inches)
Height	-----	140 mm (5.51 inches)
Weight with Empty Magazine		
	-----	960 grams (2.1 pounds)
Weight with 15-Round Magazine		
	-----	1,145 grams (2.6 pounds)
Barrel Length	-----	125 mm (4.92 inches)
Rifling	-----	R.H., six-groove (pitch 250 mm [about 10 inches])
Muzzle Velocity	-----	375 meters per second (1,230.3 feet per second)
Muzzle Energy	-----	569.5 newton meters (430 foot pounds)
Maximum Range	-----	1,800 meters (1,962.2 yards)
Maximum Effective Range	-----	50 meters (54.7 yards)
Front Sight	-----	Blade, integral with slide
Rear Sight	-----	Notched bar, dovetailed to slide
Sighting Radius	-----	158 mm (6.22 inches)
Safety Features	-----	Decocking/safety lever, firing pin block.
Hammer (half-cocked notch)	-----	Prevents accidental discharge.
Basic Load	-----	45 rounds
Trigger Pull	-----	Single-Action: 5.50 pounds Double-Action: 12.33 pounds

NOTE: For additional information on technical aspects of the M9 pistol see TM 9-1005-317-310.

WARNING

THE HALF-COCKED POSITION CATCHES THE HAMMER AND PREVENTS IT FROM FIRING IF THE HAMMER IS RELEASED WHILE MANUALLY COCKING THE WEAPON. IT IS NOT TO BE USED AS A SAFETY POSITION. THE PISTOL WILL FIRE FROM THE HALF-COCKED POSITION IF THE TRIGGER IS PULLED.

b. Operation.

The M9 pistol has a short recoil system using a falling locking block. The pressure developed by the expanding gases of a fired round recoils the slide and barrel assembly. After a short run, the locking block is disengaged from the slide, the barrel stops against the frame, and the slide continues its rearward movement. The slide then extracts and ejects the fired cartridge case, cocks the hammer, and compresses the recoil spring. The slide moves forward feeding the cartridge from the magazine into the chamber. The slide and barrel assembly remain open after the last cartridge has been fired and ejected.

1-2. PISTOL, AUTOMATIC, .45 CALIBER, M1911 AND M1911A1

The M1911 and M1911A1 pistols are semiautomatic, .45-caliber, recoil-operated, magazine-fed, single-action pistols. The magazine has a seven-round capacity.

a. Equipment Data.

Caliber-----	0.45 inches
System of Operation-----	Short recoil, semiautomatic
Length-----	8 5/8 inches
Weight With Empty Magazine-----	2.4 pounds
Weight With Full Magazine-----	3 pounds
Length of Barrel-----	5.03 inches
Rifling-----	L.H., six groove (Pitch 1 in 16 inches)
Muzzle Velocity-----	830 feet per second
Muzzle Energy-----	17,000 pounds per square inch
Maximum Range-----	1,500 meters
Maximum Effective Range-----	50 meters
Front Sight-----	Blade, integral with slide

Rear Sight -----	Notched bar, dovetailed to slide
Sight Radius-----	6.481 inches
Safety Features-----	Manual safety lever, grip safety, half-cock position
Basic Load-----	21 rounds
Trigger Pull-----	5 to 6 1/2 pounds

b. Operation.

- (1) Each time a cartridge is fired, the parts inside the weapon function in a given order. This is known as the functioning cycle or cycle of operation.
- (2) The cycle of operation of the weapon is divided into eight steps: feeding, cambering, locking, firing, unlocking, extracting, ejecting, and cocking. The steps are listed in the order in which functioning occurs; however, more than one step may occur at the same time.
- (3) A magazine containing ammunition is placed in the receiver. The slide is pulled fully to the rear and released. As the slide moves forward, it strips the top round from the magazine and pushes it into the chamber. The hammer remains in the cocked position, and the weapon is ready to fire.
- (4) The weapon fires one round each time the trigger is pulled. Each time a cartridge is fired, the slide and barrel recoil or move a short distance locked together. This permits the bullet and expanding powder gases to escape from the muzzle before the unlocking is completed.
- (5) The barrel then unlocks from the slide and continues to the rear, extracting the cartridge case from the chamber and ejecting it from the weapon. During this rearward movement the magazine feeds another cartridge, the recoil spring is compressed, and the hammer is cocked.
- (6) At the end of the rearward movement, the recoil spring expands, forcing the slide forward, locking the barrel and slide together. The weapon is ready to fire again. The same cycle of operation continues until the ammunition is expended.

- (7) As the last round is fired, the magazine spring exerts upward pressure on the magazine follower. The stop on the follower strikes the slide stop, forcing it into the recess on the bottom of the slide and locking the slide to the rear. This action indicates that the magazine is empty and aids in faster reloading.

NOTE: For additional information on the technical aspects of the caliber .45 pistol see TM 9-1005-211-12.

### 1-3. REVOLVER, CALIBER .38

There are six basic caliber .38 service revolvers in use by the Army. One is a 2-inch barreled, .38-caliber revolver made by Smith and Wesson; five are 4-inch barreled, .38-caliber revolvers--three made by Ruger, and two by Smith and Wesson. The 2-inch barreled revolver is used mainly by Army CID and counterintelligence personnel. The 4-inch barreled revolvers are used by aviators and military police.

#### a. Equipment Data.

##### Smith and Wesson

Caliber	-----0.38	inches
System of Operation	-----Rotated	chamber
Length: 2-Inch Barrel	-----7 1/4	inches
4-Inch Barrel	-----9 1/4	inches
Weight: 2-Inch Barrel	-----26.5	ounces
4-inch Barrel	-----30.5	ounces
Length of Barrel	-----2 inches/4	inches
Muzzle Velocity	-----950	feet per second
Muzzle Energy	-----16,000	per square inch
Maximum Range: 2-Inch Barrel	-----868	meters
4-Inch Barrel	-----992	meters
Maximum Effective Range	-----45 meters (2-inch barrel)	
	60 meters (4-inch barrel)	
Front Sight	-----Fixed	1/8-inch serrated ramp
Rear Sight	-----Square	notch
Safety Features	-----No manually	operated safety
Basic Load	-----18	rounds

##### Ruger

Caliber	-----0.38	inches
System of Operation	-----Rotated	chamber
Length	-----9 1/4	inches
Weight	-----33	ounces

Length of Barrel-----4 inches  
 Muzzle Velocity-----950 feet per second  
 Muzzle Energy-----16,000 per square inch  
 Maximum Range-----992 meters  
 Maximum Effective Range-----60 meters  
 Front Sight-----Fixed blade  
 Rear Sight-----Fixed groove  
 Safety Features -----No manually operated safety  
 Basic Load-----18 rounds

b. Operation.

- (1) When firing single-action, the hammer is pulled back, and the sear engaged the full-cock notch in the hammer.
  - (a) Smith and Wesson: Pulling the trigger lowers the hammer block, allowing the hammer to fall.
  - (b) Ruger: Pulling the trigger raises the transfer bar into the firing position between the hammer and firing pin, allowing the hammer to strike the firing pin.
- (2) When firing double-action, the trigger is squeezed. This engages the sear, raising the hammer to nearly full-cock position. Continued pressure on the trigger allows the sear to escape from the trigger and the hammer to fall.
  - (a) Smith and Wesson: When the trigger is squeezed, the rebound slide pivots the hammer block downward, striking the cartridge primer.
  - (b) Ruger: When the trigger is squeezed and held to the rear, the transfer bar passes force from the transfer bar to the firing pin, striking the cartridge primer. If the trigger is not held to the rear, the hammer rests directly on the frame and the transfer bar remains below the firing pin.
- (3) The cylinder stop (Smith and Wesson) or latch (Ruger) prevents the cylinder from making more than one-sixth of a revolution each time the weapon is cocked. The cylinder stop/latch withdraws from the cylinder as the trigger moves. The trigger hand (Smith and Wesson) or pawl (Ruger) pivots and engages the ratchet on the extractor/ejector portion of the cylinder. The



trigger slips off of the cylinder stop/latch as it continues rearward. The cylinder stop/latch then engages the next notch.

- NOTES: 1. In firing the Ruger, the trigger must remain all the way back till the hammer falls. If the trigger is released before the hammer falls, the weapon will not fire. In firing the Smith and Wesson, the weapon fires only when the trigger is pulled all the way back.
2. For additional information on the technical aspects of the caliber .38 see TM 9-1005-226-14 and TM 9-1005-205-14&P-1.

CHAPTER 2  
MARKSMANSHIP TRAINING  
Section I. BASIC MARKSMANSHIP

2-1. PHASES OF TRAINING

Marksmanship training is divided into two phases: preparatory marksmanship training and range firing. Each phase may be divided into separate instructional steps. All marksmanship training must be progressive. Combat marksmanship techniques should be practiced after the basics have been mastered.

2-2. FUNDAMENTALS

The main use of the pistol or revolver is to engage an enemy at close range with quick, accurate fire. Accurate shooting results from knowing and correctly applying the elements of marksmanship. The elements of combat pistol or revolver marksmanship are:

- o Grip.
- o Aiming.
- o Breath control.
- o Trigger squeeze.
- o Target engagement.
- o Positions.

2-3. GRIP

The weapon must become an extension of the hand and arm. It should replace the finger in pointing at an object. A firm, uniform grip must be applied to the weapon. A proper grip is one of the most important fundamentals of quick fire.

- a. One-Hand Grip. Hold the weapon in the nonfiring hand; form a V with the thumb and forefinger of the strong hand (firing hand) (see Figure 2-1). Place the weapon in the V with the front and rear sights in line with the firing arm. Wrap the lower three fingers around the pistol grip, putting equal pressure with all three fingers to the rear. Allow the thumb of the firing hand to rest alongside the weapon without pressure. Grip the weapon tightly until the hand begins to tremble; relax until the trembling stops. At this point, the necessary pressure for a proper grip has been applied. Place the trigger finger on the trigger between the tip and second joint so that it can be squeezed to the rear. The trigger finger must work independently of the remaining fingers.

NOTE: If any of the three fingers on the grip is relaxed the grip must be reapplied.

---



---

Figure 2-1. One-hand grip.

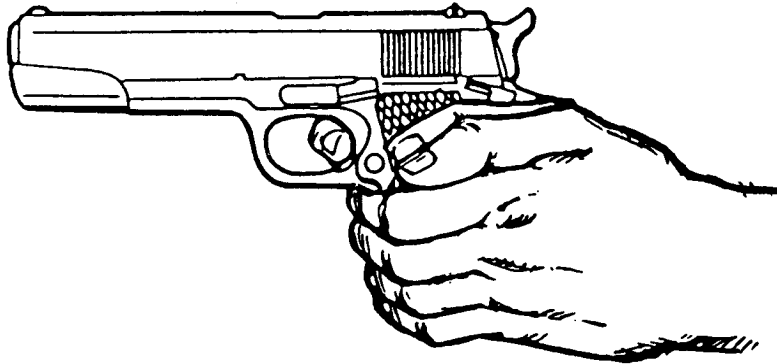
- b. Two-Hand Grip. The two-hand grip allows the firer to steady the firing hand and provide maximum support during firing. The nonfiring hand becomes a support mechanism for the firing hand by wrapping the fingers of the nonfiring hand around the firing hand. Two-hand grips are recommended for all pistol and revolver firing.

WARNING

IF THE NONFIRING THUMB IS PLACED IN THE REAR OF THE WEAPON THE RECOIL FROM THE WEAPON COULD RESULT IN PERSONAL INJURY.

- (1) Fist grip. Grip the weapon as described in paragraph a above. Firmly close the fingers of the nonfiring hand over the fingers of the firing hand, ensuring that the index finger from the nonfiring hand is between the middle finger of the firing hand and the trigger guard. Place the nonfiring thumb alongside the firing thumb. (See Figure 2-2.)

NOTE: Depending upon the individual firer, he may choose to place his index finger of the nonfiring hand on the front of the trigger guard of the M9 pistol since this weapon has a recurved trigger guard designed for this purpose.



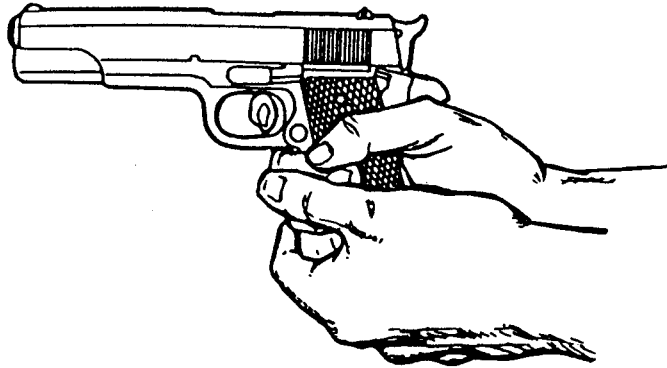
---

Figure 2-2. Fist grip.

- (2) Palm-supported grip. This grip is commonly called the cup and saucer grip. Grip the firing hand as described in paragraph a above. Place the nonfiring hand under the firing hand, wrapping the

nonfiring fingers around the back of the firing hand. Place the nonfiring thumb over the middle finger of the firing hand. (See Figure 2-3.)

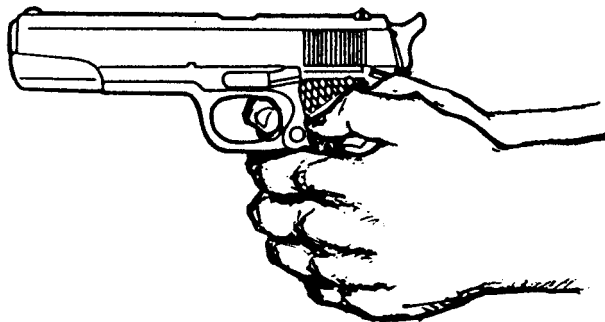
---



---

Figure 2-3. Palm-supported grip.

- (3) Weaver grip. Apply this grip the same as the fist grip. The only exception is that the nonfiring thumb is wrapped over the firing thumb. (See Figure 2-4.)
- 



---

Figure 2-4. Weaver grip

- c. Isometric Tension. The firer raises his arms to a firing position and applies isometric tension. This is commonly known as the push-pull method for maintaining weapon stability. Isometric tension is when the firer applies forward pressure with the firing hand and pulls rearward with the nonfiring hand with equal pressure. This creates an isometric force but never so much to cause the firer to tremble. This steadies the weapon and reduces barrel rise from recoil. The supporting arm is bent with the elbow pulled downward. The firing arm is fully extended with the elbow and wrist locked. The firer must experiment to find the right amount of isometric tension to apply.

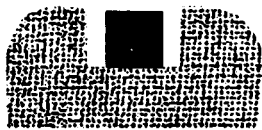
NOTE: The firing hand should exert the same pressure as the nonfiring hand. If it does not, a missed target could result.

- d. Natural Point of Aim. The firer should check his grip for use of his natural point of aim. He grips the weapon and sights properly on a distant target. While maintaining his grip and stance, he closes his eyes for three to five seconds. He then opens his eyes and checks for proper sight picture. If the point of aim is disturbed, the firer adjusts his stance to compensate. If the sight alignment is disturbed, the firer adjusts his grip to compensate by removing the weapon from his hand and reapplying the grip. The firer repeats this process until the sight alignment and sight placement remain almost the same when he opens his eyes. This enables the firer to determine and use his natural point of aim once he has sufficiently practiced. This is the most relaxed position for holding and firing the weapon.

#### 2-4. AIMING

- a. Aiming is sight alignment and sight placement (see Figure 2-5). Sight alignment is the centering of the front blade in the rear sight notch. The top of the front sight is level with the top of the rear sight and is in correct alignment with the eye. For correct sight alignment, the firer must center the front sight in the rear sight. He raises or lowers the top of the front sight so it is level with the top of the rear sight.

- b. Sight placement is the positioning of the weapon's sights in relation to the target as seen by the firer when he aims the weapon (see Figure 2-5). A correct sight picture consists of correct sight alignment with the front sight placed center mass of the target. The eye can focus on only one object at a time at different distances. Therefore the last focus of the eye is always on the front sight. When the front sight is seen clearly, the rear sight and target will appear hazy. Correct sight alignment can only be maintained through focusing on the front sight. The firer's bullet will hit the target even if the sight picture is partly off center but still remains on the target. Therefore, sight alignment is more important than sight placement. Since it is impossible to hold the weapon completely still, the firer must apply trigger squeeze and maintain correct sight alignment while the weapon is moving in and around the center of the target. This natural movement of the weapon is referred to as wobble area. The firer must strive to control the limits of the wobble area through proper breath control, trigger squeeze, positioning, and grip.
- c. Sight alignment is essential for accuracy because of the short sight radius of the pistols and revolvers. For example, if a 1/10-inch error is made in aligning the front sight in the rear sight, the firer's bullet will miss the point of aim by about 15 inches at a range of 25 meters. The 1/10-inch error in sight alignment magnifies as the range increases--at 25 meters it is magnified 150 times.



**CORRECT SIGHT ALIGNMENT**



**CORRECT SIGHT PLACEMENT**

---

Figure 2-5. Correct sight alignment and sight picture.

- d. Focusing on the front sight while applying proper trigger squeeze will help the firer resist the urge to jerk the trigger and anticipate the actual moment the weapon will fire. Mastery of trigger squeeze and sight alignment requires practice. Trainers should use concurrent training stations or have fire ranges to enhance proficiency of marksmanship skills.

## 2-5. BREATH CONTROL

The firer must learn to hold his breath properly at any time during the breathing cycle if he wishes to attain accuracy that will serve him in combat. This must be done while aiming and squeezing the trigger. While the procedure is simple, it requires explanation, demonstration, and supervised practice. To hold the breath properly the firer takes a breath, lets it out, then inhales normally, lets a little out until comfortable, holds, and then fires. It is difficult to maintain a steady position keeping the front sight at a precise aiming point while breathing. Therefore, the firer should be taught to inhale, then exhale normally, and hold his breath at the moment of the natural respiratory pause (see Figure 2-6). The shot must then be fired before he feels any discomfort from not breathing. When multiple targets are presented, the firer must learn to hold his breath at

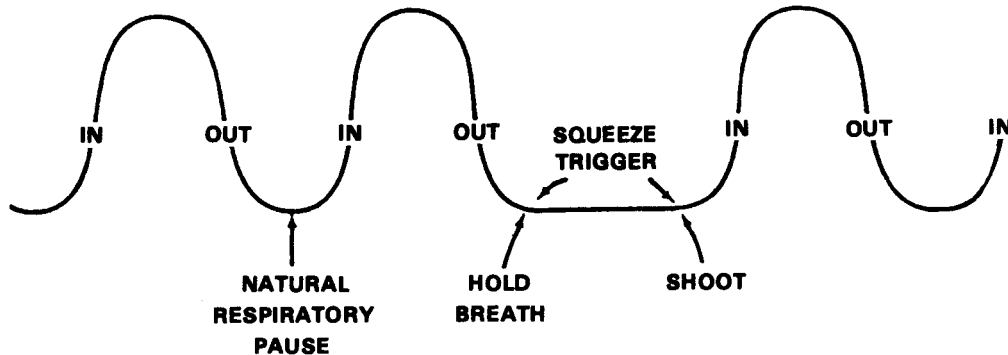


Figure 2-6. Breath control, firing at a single target.



any part of the breathing cycle (see Figure 2-7). Breath control must be practiced during dry-fire exercises until it becomes a natural part of the firing process.

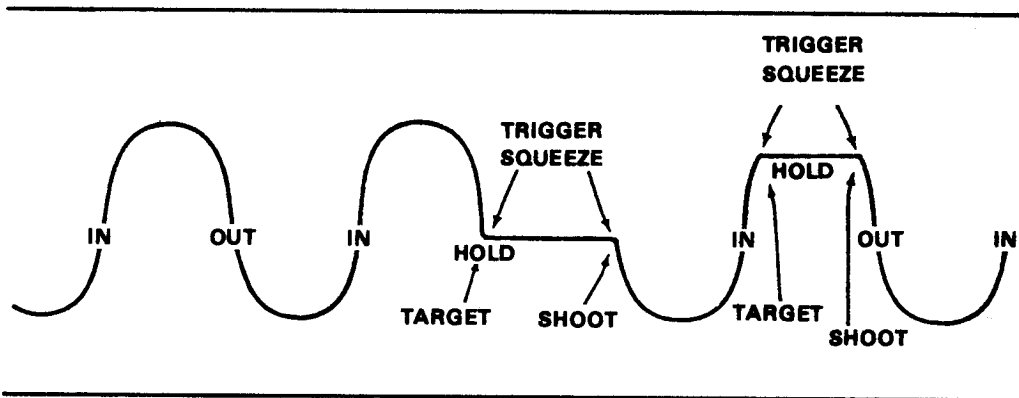


Figure 2-7. Breath control, firing at timed or multiple targets.

## 2-6. TRIGGER SQUEEZE

- a. Improper trigger squeeze causes more misses than any other step of preparatory marksmanship. Poor shooting is caused by the aim being disturbed before the bullet leaves the barrel of the weapon. This is usually the result of the firer jerking the trigger or flinching. A slight off-center pressure of the trigger finger on the trigger can cause the weapon to move and disturb the firer's sight alignment. Flinching is an automatic human reflex caused by anticipating the recoil of the weapon. Jerking is an effort to fire the weapon at the precise time the sights align with the target.

NOTE: See problems in target engagement, paragraph 2-7.

- b. Trigger squeeze is the independent movement of the trigger finger in applying increasing pressure on the trigger straight to the rear, without disturbing the sight alignment until the weapon fires. The trigger slack, or free play, is taken up first, and the squeeze is continued steadily until the hammer falls. If the trigger is squeezed properly, the firer will not know exactly when the hammer will fall; thus, he does not tend to flinch or heel, resulting in a bad shot. Novice firers

must be trained to overcome the urge to anticipate recoil. Proper application of the fundamentals will lower this tendency.

- c. To apply correct trigger squeeze, the trigger finger should contact the trigger between the tip of the finger to the second joint (without touching the weapon anywhere else). Where contact is made depends on the length of the firer's trigger finger. If pressure from the trigger finger is applied to the right side of the trigger or weapon, the strike of the bullet will be to the left. This is due to the normal hinge action of the fingers. When the fingers on the right hand are closed, as in gripping, they hinge or pivot to the left, thereby applying pressure to the left. (With left-handed firers, this action is to the right.) The firer must not apply pressure left or right but increase finger pressure straight to the rear. Only the trigger finger must perform this action. Dry-fire training improves a firer's ability to move the trigger finger straight to the rear without cramping or increasing pressure on the hand grip.
- (1) The firer who is a good shot holds the sights of the weapon as nearly on the target center as possible and continues to squeeze the trigger with increasing pressure until the weapon fires.
  - (2) The soldier who is a bad shot tries to "catch his target" as his sight alignment moves past the target and fires the weapon at that instant. This is called ambushing, which causes trigger jerk.
- d. Follow-through is the continued effort of the firer to maintain sight alignment before, during, and after the round has fired. The firer must continue the rearward movement of the finger even after the round has been fired. Releasing the trigger too soon after the round has been fired results in an uncontrolled shot, causing a missed target.

NOTE: The trigger squeeze of the M9 pistol, when fired in the single-action mode, is 5.50 pounds; when fired in double-action mode, it is 12.33 pounds. The firer must be aware of the mode he is firing in. He must also practice squeezing the trigger in each mode to develop expertise in single-action and double-action target engagements.

## 2-7. TARGET ENGAGEMENT

To engage a single target, the firer applies the method discussed in paragraph 2-6 when multiple targets are engaged. The closest and most dangerous multiple target in combat is engaged first and should be fired at with two rounds. This is commonly referred to as a double tap. The firer then traverses and acquires the next target, aligns the sights in the center of mass, focuses on the front sight, applies trigger squeeze, and fires. The firer ensures his firing arm elbow and wrist are locked during all engagements. If the firer has missed the first target and has fired upon the second target, he shifts back to the first and engages it. Some problems in target engagement are as follows:

- a. Recoil Anticipation. When a soldier first learns to shoot, he may begin to anticipate recoil. This reaction may cause him to tighten his muscles during or just before the hammer falls. He may fight the recoil by pushing the weapon downward in anticipating or reacting to its firing. In either case, the rounds will not hit the point of aim. A good method to show the firer that he is anticipating the recoil is the ball-and-dummy method (see paragraph 2-16).
- b. Trigger Jerk. Trigger jerk occurs when the soldier sees that he has acquired a good sight picture at center mass and "snaps" off a round before the good sight picture is lost. This may become a problem, especially when the soldier is learning to use a flash sight picture (see paragraph 2-9).
- c. Heeling. Heeling is caused by a firer tightening the large muscle in the heel of the hand to keep from jerking the trigger. A firer who has had problems with jerking the trigger tries to correct the fault by tightening the bottom of the hand, which results in a heeled shot. Heeling causes the strike of the bullet to hit high on the firing hand side of the target. The firer can correct shooting errors by knowing and applying correct trigger squeeze.

## 2-8. POSITIONS

The qualification course is fired from a standing kneeling, or crouch position. All of the

firing positions described below must be practiced so they become natural movements, during qualification and combat firing. Though these positions seem natural, practice sessions must be conducted to ensure the habitual attainment of correct firing positions. Assuming correct firing positions ensures that soldiers can quickly assume these positions without a conscious effort. Pistol marksmanship requires a soldier to rapidly apply all the fundamentals at dangerously close targets while under stress. Assuming a proper position to allow for a steady aim is critical to survival.

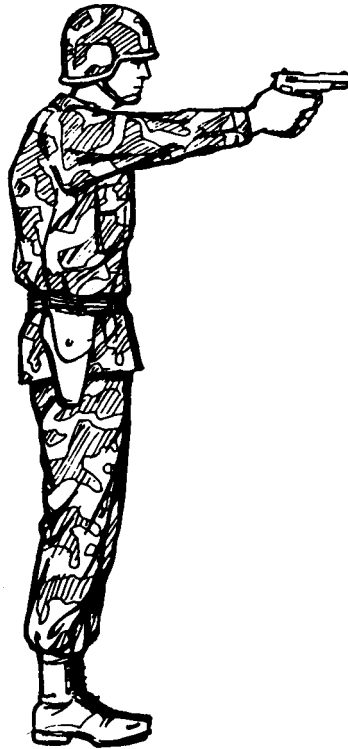
- a. Pistol-Ready Position. In the pistol-ready position, hold the weapon in the one-hand grip. Hold the upper arm close to the body, and the forearm at about a 45° angle. point the weapon toward target center as you move forward (see Figure 2-8).



---

Figure 2-8. Pistol-ready position.

- b. Standing Position Without Support. Face the target (see Figure 2-9). Place feet a comfortable distance apart, about shoulder width. Extend the firing arm and attain a two-hand grip. The wrist and elbow of the firing arm are locked and pointed toward target center. Keep the body straight with the shoulders slightly forward of the buttocks.
- 



---

Figure 2-9. Standing position without support.

NOTE: During combat, there may not be time for a soldier to assume a position that will allow him to establish his natural point of aim. Firing from a covered position may require the soldier to adapt his shooting stance to available cover.

- c. Kneeling Position. In the kneeling position, ground only the firing side knee as the main support (see Figure 2-10). Vertically place the foot, used as the main support, under the buttocks. Rest the body weight on the heel and toes. Rest the nonfiring arm just above the elbow on the knee not used as the main body support.

Use the two-handed grip for firing. Extend the firing arm, and lock the firing arm elbow and wrist to ensure solid arm control.

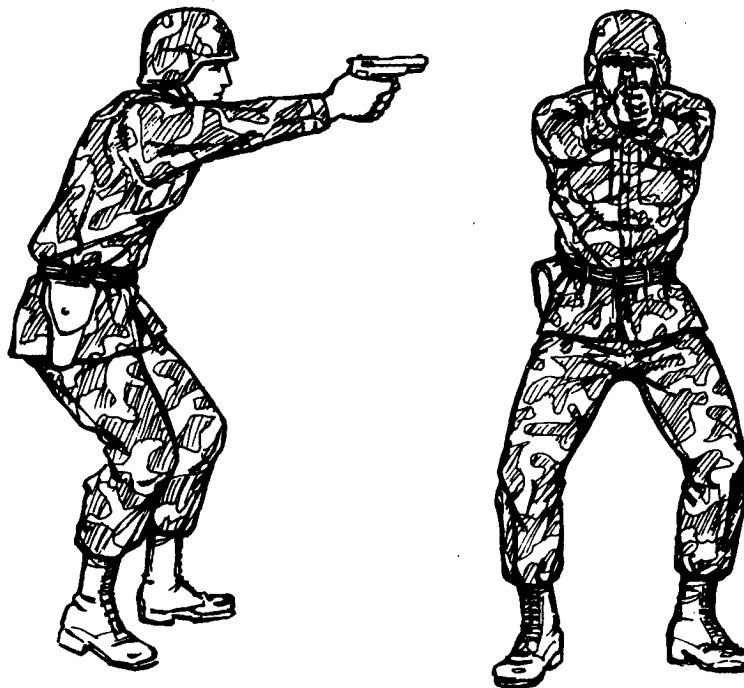
---



---

Figure 2-10. Kneeling position.

- d. Crouch Position. Use the crouch position when surprise targets are engaged at close range (see Figure 2-11). Place the body in a forward crouch (boxer's stance) with the knees bent slightly and
- 



---

Figure 2-11. Crouch position.

trunk bent forward from the hips to give faster recovery from recoil. Place the feet naturally in a position that allows another step toward the target. Extend the weapon straight toward the target, and lock the wrist and elbow of the firing arm. It is important to consistently train with this position, since the body will automatically crouch under conditions of stress such as combat. It is also a faster position from which to change direction of fire.

- e. Prone Position. Lie flat on the ground, facing the target (see Figure 2-12). Extend arms in front with the firing arm locked. The arms may have to be slightly unlocked for firing at high targets. Rest the butt of the weapon on the ground for single, well-aimed shots. Wrap the nonfiring hand (fingers) around the fingers of the firing hand. Face forward. Keep the head down between arms as much as possible and behind the weapon.



Figure 2-12. Prone position.

- f. Standing Position With Support. Use available cover for support--for example, a tree or wall to stand behind (see Figure 2-13). Stand behind a barricade with the firing side on line with the edge of the barricade. Place the knuckles of the the nonfiring fist at eye level against the edge of the barricade. Lock the elbow and wrist of the firing arm. Move the foot on the nonfiring side forward until the toe of the boot touches the bottom of the barricade.

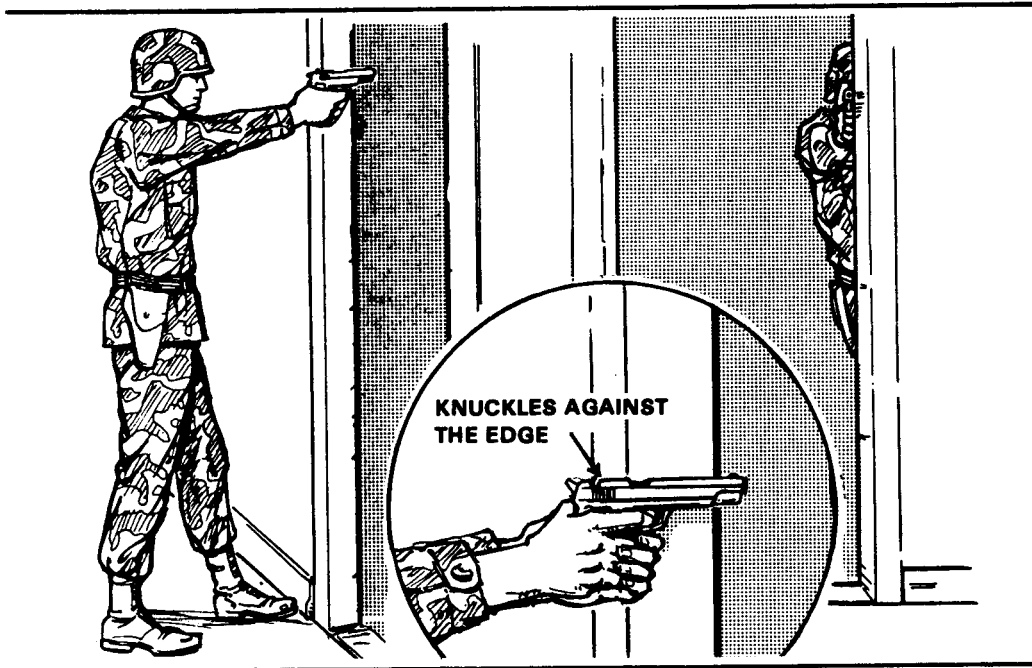


Figure 2-13. Standing position with support.

- g. **Kneeling Supported Position.** Use available cover for support—for example, use a low wall, rocks, or vehicle (see Figure 2-14). Place the firing-side knee on the ground. Bend the other knee and place the foot (nonfiring side) flat on



Figure 2-14. Kneeling supported.



the ground, pointing toward the target. Extend arms alongside and brace them against available cover. Lock the wrist and elbow of the firing arm. Place the nonfiring hand around the fist to support the firing arm. Rest the nonfiring arm just above the elbow on the nonfiring-side knee.

## Section II. COMBAT MARKSMANSHIP

After a soldier becomes proficient in the fundamentals of marksmanship, he progresses to advanced techniques of combat marksmanship. The main use of the pistol or revolver is to engage the enemy at close range with quick, accurate fire. In shooting encounters, it is not the first round fired that wins the engagement, but the first accurately fired round. The soldier should use his sights when engaging the enemy, the only exception being if this would place the weapon within arm's reach of the enemy.

### 2-9. TECHNIQUES OF FIRING

#### a. Hand-and-Eye Coordination.

- (1) Hand-and-eye coordination is not a natural, instinctive ability for all soldiers. It is usually a learned skill obtained by practicing the use of a flash sight picture (see paragraph b below). The more a soldier practices raising the weapon to eye level and obtaining a flash sight picture, the more natural the relationship between soldier, sights, and target becomes. Eventually, proficiency elevates to a point so that the soldier can accurately engage targets in the dark. Each soldier must be aware of this trait and learn how to best use it. Poorly coordinated soldiers can achieve proficiency by being closely supervised. Everyone has the ability to point at an object. Since pointing the forefinger at an object and extending the weapon toward a target are much the same, the combination of the two are natural. Making the soldier aware of this ability and teaching him how to apply it when firing results in success when engaging enemy targets in combat.
- (2) The eyes focus instinctively on the center of any object observed. After the object is sighted, the firer aligns his sights on the center of mass, focuses on the front sight, and applies proper

trigger squeeze. Most crippling or killing hits result from maintaining the focus on the center of mass. The eyes must remain fixed on some part of the target throughout firing.

- (3) When a soldier points, he instinctively points at the feature on the object on which his eyes are focused. An impulse from the brain causes the arm and hand to stop when the finger reaches the proper position. When the eyes are shifted to a new object or feature, the finger, hand, and arm also shift to this point. It is this inherent trait that can be used by the soldier to rapidly and accurately engage targets. This instinct is called hand-and-eye coordination.
- b. Flash Sight Picture. Usually when engaging an enemy at pistol/revolver ranges, the firer has little time to ensure a correct sight picture. The quick-kill (or natural point of aim) method does not always ensure a first-round hit. A compromise between a correct sight picture and the quick-kill method is known as a flash sight picture. As the soldier raises the weapon to eye level, his point of focus switches from the enemy to the front sight, ensuring that the front and rear sights are in proper alignment left and right, but not necessarily up and down. Pressure is applied to the trigger as the front sight is being acquired, and the hammer falls as the flash sight picture is confirmed. Initially, this method should be practiced slowly, gaining speed as proficiency increases.
- c. Quick-Fire Point Shooting. This is for engaging an enemy at less than 5 yards. It is also useful for night firing. The weapon should be held in a two-hand grip. It is brought up close to the body until it reaches chin level and is then thrust forward until both arms are straight. The arms and body form a triangle, which can be aimed as a unit. In thrusting the weapon forward, the firer can imagine that there is a box between him and the enemy, and he is thrusting the weapon into the box. The trigger is smoothly squeezed to the rear as the elbows straighten out.
- d. Quick-Fire Sighting. This is used when engaging an enemy at 5 to 10 yards away. It is used only when there is no time available to get a full

picture. The firing position is the same as for quick-fire point shooting. The sights are aligned left and right to save time, but not up and down. The firer must determine in practice what the sight picture will look like and where the front sight must be aimed to hit the enemy in the chest.

## 2-10. TARGET ENGAGEMENT

In close combat, there is seldom time to precisely apply all of the fundamentals of marksmanship. When a soldier fires a round at the enemy, many times he will not know if he hit his target. Therefore, two rounds should be fired at the target. This is called a double tap. If the enemy continues to attack, two more shots should be placed in the pelvic area to break the body's support structure, causing the enemy to fall.

## 2-11. TRAVERSING

- a. Traversing 360°. In close combat, the enemy may be attacking from all sides. The soldier may not have time to constantly change his position to adapt to new situations. The purpose of the crouching or kneeling traverse 360° is to fire in any direction without moving the feet. The firer remains in the crouch position with feet almost parallel to each other. The following instructions are for a right-handed firer. The two-hand grip is used at all times except for over the right shoulder. Turning will be natural on the balls of the feet.
  - (1) Over the left shoulder (see Figure 2-15): The upper body is turned to the left, the weapon points to the left rear with the elbows of both arms bent. The left elbow will naturally be bent more than the right elbow.
  - (2) Traversing to the left (see Figure 2-16): The upper body turns to the right, and the right firing arm straightens out. The left arm will be slightly bent.
  - (3) Traversing to the front (see Figure 2-17): The upper body turns to the front as the left arm straightens out. Both arms will be straight forward.

- (4) Traversing to the right (see Figure 2-18): The upper body will turn to the right as both elbows bend. The right elbow will naturally bend more than the left.



Figure 2-15. Traversing over the left shoulder.



Figure 2-16. Traversing to the left.



Figure 2-17. Traversing to the front.



Figure 2-18. Traversing to the right.

- (5) Traversing to the right rear (see Figure 2-19): The upper body continues to turn to the right until it reaches a point that it cannot go further comfortably. Eventually the left hand will have to release itself from the fist grip and the firer will be shooting to the right rear with the right hand.
- 



---

Figure 2-19. Traversing to the right rear.

- b. Kneeling 360° Traverse. The following instructions are for right-handed firers. The hands are in a two-hand grip at all times. The unsupported kneeling position is used. The rear foot must be positioned to the left of the front foot.
  - (1) Traversing to the left side (see Figure 2-20): The upper body turns to a comfortable position toward the left. The weapon is aimed to the left. Both elbows are bent with the left elbow naturally bent more than the right elbow.
  - (2) Traversing to the front (see Figure 2-21): The upper body is turned to the front, and a standard unsupported kneeling position is assumed. The right firing arm is straight, and the left elbow is slightly bent.
  - (3) Traversing to the right side (see Figure 2-22): The upper body turns to the right as both arms straighten out.

(4) Traversing to the rear (see Figure 2-23): The upper body continues to turn to the right as the left knee is turned to the right and placed on the ground. The right knee is lifted off the ground and becomes the forward knee. The right arm is straight, while the left arm is bent. The direction of the kneeling position has been reversed.

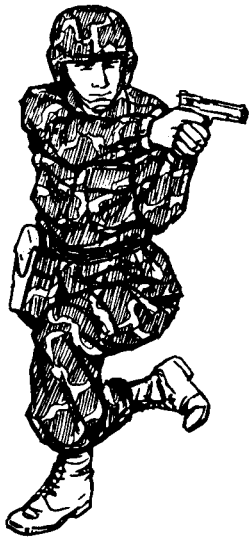


Figure 2-20. Traversing to the left, kneeling.



Figure 2-21. Traversing to the front, kneeling.



Figure 2-22. Traversing to the right, kneeling.

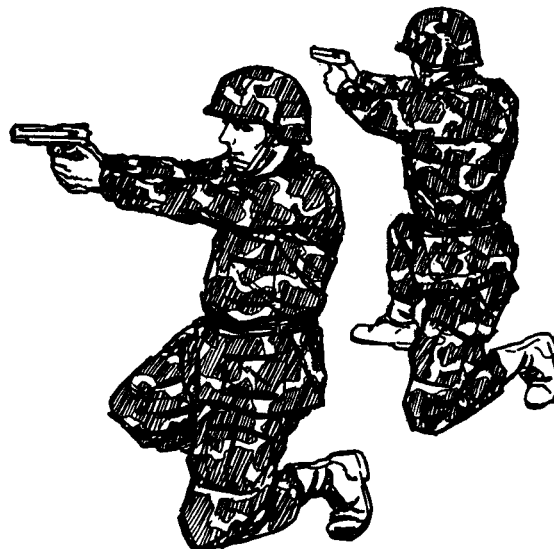


Figure 2-23. Traversing to the rear, kneeling.

- (5) Traversing to the new right side (see Figure 2-24): The upper body continues to the right. Both elbows are straight until it reaches a point that it cannot comfortably to further. Eventually, the left hand must be released from the fist grip, and the firer will be firing to the right with the one-hand grip.
- 



---

Figure 2-24. Traversing to the new right side, kneeling.

- c. Training Method. This method can be taught anywhere without a weapon by the firer simulating a two-hand grip. The firer should be familiar with firing in all five directions.

## 2-12. COMBAT RELOADING TECHNIQUES

Reloading was an overlooked problem for many years until it was discovered that soldiers were being killed due to dropping of magazines, shaking hands, placing magazines in backward, and placing empty magazines back into the weapon. The stress state induced by a life-threatening situation causes soldiers to do things they would not otherwise do. Consistent, repeated training is needed to avoid such mistakes.

NOTE: These procedures should only be used in combat, not on firing ranges.

- STEP 1: Develop a consistent method for carrying magazines in the ammunition pouches. All magazines should face down with the bullets facing forward and to the center of the body.
  - STEP 2: Know when to reload. When possible, count the number of rounds fired. However, it is possible to lose count in close combat. If this happens, there is a distinct difference in recoil of the pistol when the last round has been fired. Change magazines when two rounds may be left--one in the magazine and one in the chamber. This prevents being caught with an empty weapon at a crucial time. Reloading is faster with a round in the chamber since time is not needed to release the slide.
  - STEP 3: Obtain a firm grip on the magazine. This precludes the magazine being dropped or difficulty in getting the magazine into the weapon. Ensure the knuckles of the hand are toward the body while gripping as much of the magazine as possible. Place the index finger high on the front-of the magazine when withdrawing from the pouch. Use the index finger to guide the magazine into the magazine well.
  - STEP 4: Know which reloading procedure to use for the tactical situation. There are three systems of reloading: rapid, tactical, and one-handed. Rapid reloading is used when the soldier's life is in immediate danger, and the reload must be accomplished quickly. Tactical reloading is used when there is more time, and it is desirable to keep the replaced magazine because there are rounds still in it or it will be needed again. One-handed reloading is used when there is an arm injury.
- a. Rapid Reloading.
- Place your hand on the next magazine in the ammunition pouch to ensure there is another magazine.
  - Withdraw the magazine from the pouch while releasing the other magazine from the weapon. Let the replaced magazine drop to the ground.



- Insert the replacement magazine, guiding it into the magazine well with the index finger.
- Release the slide, if necessary.
- Pick up the dropped magazine if time allows. Place it in your pocket, not back into the ammunition pouch where it may become mixed with full magazines.

b. Tactical Reloading.

- Place your hand on the next magazine in the ammunition pouch to ensure there is a remaining magazine.
- Withdraw the magazine from the pouch.
- Drop the used magazine into the palm of the nonfiring hand, which is the same hand holding the replacement magazine.
- Insert the replacement magazine, guiding it into the magazine well with the index finger.
- Release the slide, if necessary.
- Place the used magazine into a pocket. Do not mix it with full magazines.

c. One-Hand Reloading.

(1) With the right hand.

- Push the magazine release button with the thumb.
- Place the safety ON with the thumb if the slide is forward.
- Place the weapon backwards into the holster.

NOTE: If placing the weapon in the holster backwards is a problem, place the weapon between the calf and thigh to hold the weapon.

- Insert the replacement magazine.
- Withdraw the weapon from the holster.
- Remove the safety with the thumb if the slide is forward, or push the slide release if the slide is back.

(2) With the left hand.

- Push the magazine release button with the middle finger.
- Place the safety ON with the thumb if the slide is forward. With the .45-caliber pistol, the thumb must be switched to the left side of the weapon.
- Place the weapon backwards into the holster.

NOTE: If placing the weapon in the holster backwards is a problem, place the weapon between the calf and thigh to hold the weapon.

- Insert the replacement magazine.
- Remove the weapon from the holster.
- Remove the safety with the thumb if the slide is forward, or push the slide release lever with the middle finger if the slide is back.

## 2-13. POOR VISIBILITY FIRING

Poor visibility firing with any weapon is difficult since shadows can be misleading to the soldier. This is mainly true during EENT and EMNT (a half hour before dark and a half hour before dawn). Even though the weapon is a short-range weapon, the hours of darkness and poor visibility further decrease its effect. To compensate, the soldier must use the three principles of night vision.

- a. Dark Adaptation. This process conditions the eyes to see during poor visibility conditions. The eyes usually need about 30 minutes to become 98-percent dark adapted in a totally darkened area.
- b. Off-Center Vision. When looking at an object in daylight, a person looks directly at it. However, at night he would see the object only for a few seconds. To see an object in darkness, he must concentrate on it while looking 6° to 10° away from it.
- c. Scanning. This is the short, abrupt, irregular movement of the firer's eyes around an object or area every 4 to 10 seconds. When artificial illumination is used, the firer uses night fire techniques to engage targets, since targets seem to shift without moving.

NOTE: For more detailed information on the three principles of night vision, see FM 21-75.

## 2-14. NUCLEAR, BIOLOGICAL, CHEMICAL FIRING

When firing under NBC conditions with a pistol or revolver, the firer should use optical inserts, if applicable. Firing in MOPP1 through MOPP3 levels should not be a problem for the firer. Unlike wearing a protective mask while firing a rifle, the firer's sight picture will be acquired the same as with or without a protective mask. MOPP4 is the only level that may present a problem for a firer since gloves are worn. Gloves may require the firer to adjust his grip to attain a proper grip and proper trigger squeeze. Firers should practice firing in MOPP4 to become proficient in NBC firing.

### Section III. COACHING AND TRAINING AIDS

## 2-15. COACHING

- a. Throughout preparatory marksmanship training, the coach-and-pupil method of training should be used. The proficiency of a pupil depends on how well his coach performs his duties. The coach assists the firer by correcting errors, ensuring he takes proper firing positions, and ensuring he observes all safety precautions. The criteria for selecting coaches are a command responsibility; coaches must have experience in pistol marksmanship above that of the student firer.
- b. Duties of the coach during instruction practice and record firing include:
  - (1) Checking that the--
    - (a) Weapon is cleared.
    - (b) Ammunition is clean.
    - (c) Magazines are clean and operational.
  - (2) Observing the firer to see that he--
    - (a) Takes the correct firing position.
    - (b) Loads the weapon properly and only on command.

- (c) Takes up the trigger slack correctly.
  - (d) Squeezes the trigger correctly (see paragraph 2-7).
  - (e) Calls the shot each time he fires (except for quick fire and rapid fire).
  - (f) Holds his breath correctly (see paragraph 2-5).
  - (g) Lowers his weapon and rests his arm when he does not fire a round within five to six seconds.
- (3) Having the firer breathe deeply several times to relax if he is tense.

## 2-16. BALL-AND-DUMMY METHOD

In this method the coach loads the weapon for the firer. He may hand the firer a loaded weapon or an empty one. When firing the empty weapon, the firer observes that in anticipating recoil he is forcing the weapon downward as the hammer falls. Repetition of the ball-and-dummy method helps to alleviate recoil anticipation.

## 2-17. CALLING THE SHOT

To call the shot is to state where the bullet should strike the target according to the sight picture at the instant the weapon fires--for example: "high," "a little low," "to the left," "to the right," or "bull's-eye." If the firer does not call his shot correctly in range firing, he is not concentrating on sight alignment. Consequently, he does not know what his sight picture is as he fires. Another method of calling the shot is the clock system--for example. A three-ring hit at 8 o'clock, a four-ring hit at 3 o'clock. Another method is to provide the firer with a target center (placed beside him on the firing line). As soon as the shot is fired, the firer must place a finger on the target face or center where he expected the round to hit on the target. This method avoids guessing and computing for the firer. The immediate placing of the finger on the target face gives an accurate call. If the firer does not call his shot correctly, he is not concentrating on sight alignment and trigger squeeze. Thus, he does not know what his sight picture is as the weapon fires.

## 2-18. PENCIL TRIANGULATION EXERCISE

The pencil triangulation exercise (see Figure 2-25) is conducted only with an unloaded and properly cleared M1911A1 caliber .45 pistol. It will not work with an M9 pistol; however, coaches may have students dry fire the M9 while he observes the firers to see if the front sight dips or jumps when the hammer falls. The pencil triangulation exercise consists of firing a pencil or pointed dowel point-blank at a miniature target. It combines position, grip, sight alignment, breathing, and trigger squeeze into a single practical work exercise. At the same time, it measures the firer's performance without the effects of recoil. This practical work is designed to teach and develop correct shooting habits. It can be conducted indoors or out, which makes an ideal exercise where range facilities are limited or when weather is poor.

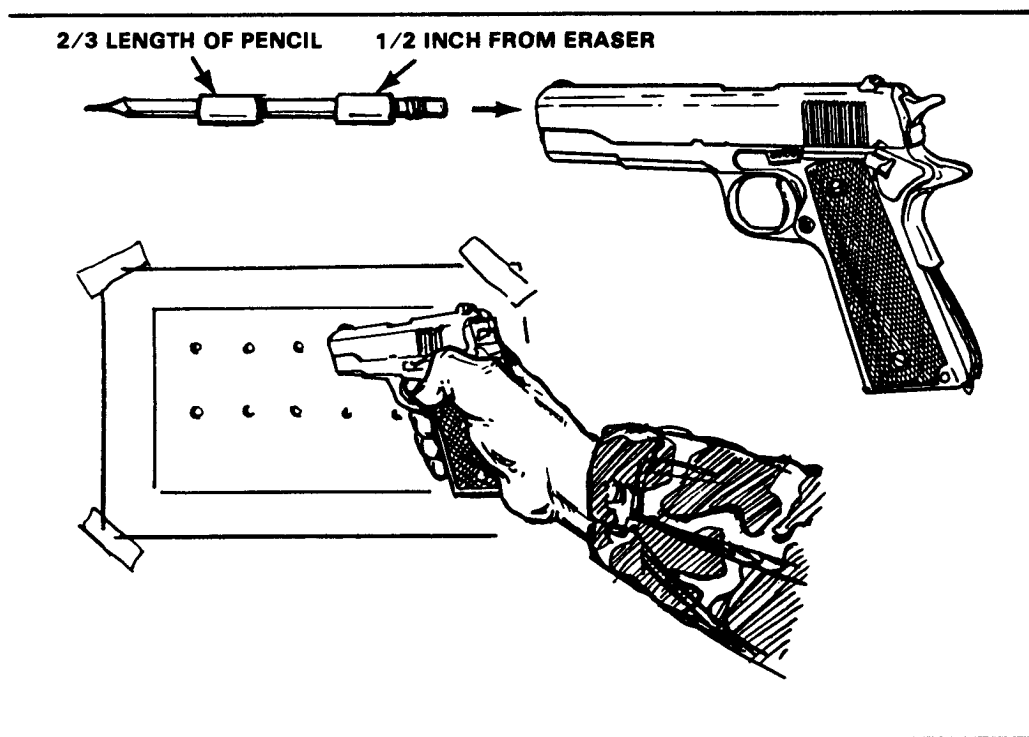


Figure 2-25. Pencil triangulation exercise.

### a. Equipment.

- (1) One dowel or lead pencil for every two students. This pencil should be at least 6 inches long and wrapped with masking or cellophane tape. The tape wrappings form two bushings that fit the inside diameter of the weapon's barrel.

- (2) One miniature bull's-eye sheet for every two students. The bull's-eye sheet can be copied, drawn, or stamped by using the eraser of a pencil and ink pad. The bull's-eyes should not be larger than  $\frac{1}{8}$  inch and at least 1 inch apart.
- b. Conduct of the Exercise. The instructor explains and demonstrates the details of the exercise before practical work by the students. The firer should begin by using a two-hand grip, progressing to the one-hand grip as his skills increase.
  - (1) The firer faces the target and takes up a good shooting position. This position is close enough to the miniature bull's-eye so when the pencil is inserted into the barrel, with the firer's arm extended and the sights aimed at the miniature bull's-eye, the point of the pencil is within 1 inch of the target. The bull's-eye sheet should be affixed to a target, or any type support, and should be shoulder-high to the firer.
  - (2) The firer inserts the pencil into the muzzle of the barrel, eraser end first, and cocks the hammer. He grips the weapon properly, extends the shooting arm, aims the weapon at the miniature bull's-eye, squeezes the trigger, and the hammer falls. The hammer strikes the firing pin, which in turn strikes the rubber eraser of the pencil, driving it out of the barrel and causing it to make a pencil dot  $\frac{1}{2}$  inch below the bull's-eye (if the firer had the correct sight alignment and trigger squeeze).
  - (3) The firer continues this exercise until he has fired a group of five pencil marks below each target. The object of the exercise is to keep the five pencil marks in a group as small as the  $\frac{1}{8}$ -inch bull's-eye,  $\frac{1}{2}$  inch directly below the bull's-eye. With practice, many firers can hit the same mark with the pencil. This indicates that the firer is properly performing the fundamentals of marksmanship each time.

## 2-19. SLOW-FIRE EXERCISE

- a. This is a dry-fire exercise. The slow-fire exercise is one of the most important exercises for both amateur and competitive marksmen. Coaches should ensure soldiers practice this exercise as

much as possible. To perform the slow-fire exercise, the firer assumes the standing position with the weapon pointed at the target. The firer should begin by using a two-hand grip, progressing to the one-hand grip as his skill increases. He takes in a normal breath and lets part of it out, locking the remainder in his lungs by closing his throat. He then relaxes, aims at the target, takes the correct sight alignment and sight picture, takes up the trigger slack, and squeezes the trigger straight to the rear with steady, increasing pressure until the hammer falls, simulating firing.

- b. If the firer does not cause the hammer to fall in 5 or 6 seconds, he should come to the pistol ready position, and rest his arm and hand. He then starts the procedure again. The action sequence that makes up this process can be summed up by the key word BRASS. It is a word the firer should think of each time he fires his weapon:

Breathe--Take a normal breath, let part of it out, and lock the remainder in the lungs by closing the throat.

Relax--Relax the body muscles.

Aim--Take correct sight alignment and sight picture, and focus the eye at the top of the front sight.

Slack--Take up the trigger slack.

Squeeze--Squeeze the trigger straight to the rear with steadily increasing pressure without disturbing sight alignment until the hammer falls.

- c. Coaches should observe the front sight for erratic movements during the application of trigger squeeze. Proper application of trigger squeeze allows the hammer to fall without the front sight moving. A small bouncing movement of the front sight is acceptable. Firer's should call the shot by the direction of movement of the front sight (high, low, left, or right).

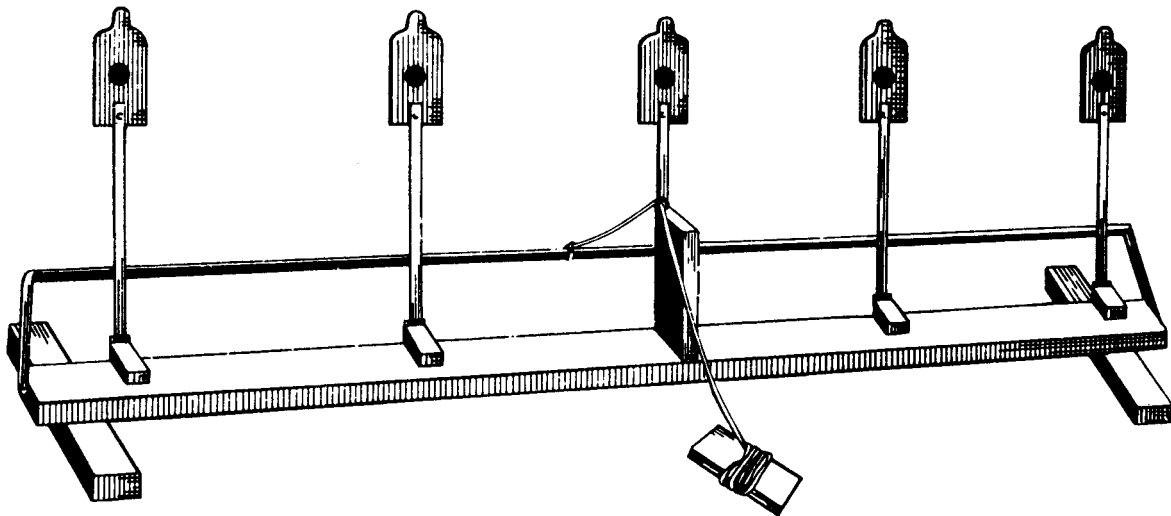
## 2-20. AIR-OPERATED PISTOL, .177 MM

The air-operated pistol is used as a training device to teach the soldier the method of quick fire,

to increase confidence in his ability, and to afford him more practice firing. A range can be set up almost anywhere with a minimum of effort and coordination, which is ideal for USAR and NG. If conducted on a standard range, live firing of pistols and revolvers can be conducted along with the firing of the .177-mm air-operated pistol. Due to the light recoil and little noise of the pistol, the soldier can concentrate on fundamentals. This helps build confidence, because the soldier can hit a target faster and accurately. The air-operated pistol should receive the same respect as any firearm. A thorough explanation of the weapon and a safety briefing are given to each soldier.

## 2-21. QUICK-FIRE TARGET TRAINING DEVICE

The QTTD (see Figures 2-26 and 2-27) is used with the .177-mm air-operated pistol.



---

Figure 2-26. The quick-fire target training device.

PHASE I. From 10 feet, five shots at a 20-foot miniature E-type silhouette. After firing each shot, the firer and coach discuss the results and make corrections.

PHASE II. From 15 feet, five shots at a 20-foot miniature E-type silhouette. The same instructions apply to this exercise as for PHASE I.



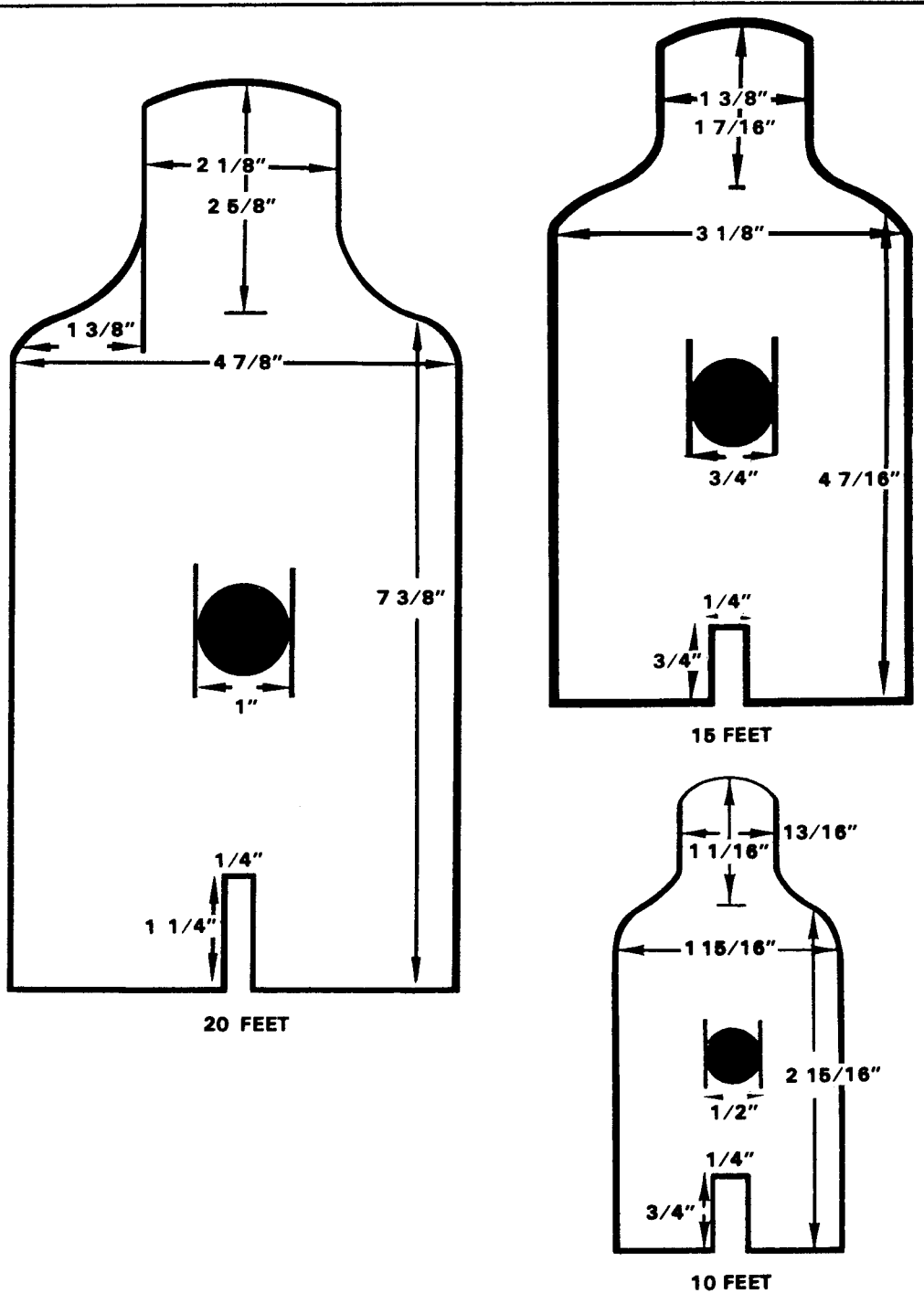


Figure 2-27. Dimensions for the QTTD.  
 PHASE III. From 20 feet, five shots at a 20-foot miniature E-type silhouette. The same instructions apply to this exercise as for PHASES I and II.

PHASE IV. From 15 feet, six shots, at two 20-foot miniature E-type silhouettes.

- (1) This exercise is conducted the same as the previous one, except that the firer is introduced to fire distribution. The targets on the QTTD are held in the up position so they cannot be knocked down when hit.
- (2) The firer first engages the 20-foot miniature E-type silhouette on the extreme right of the QTTD (see Figure 2-28). He then traverses between targets and engages the same type target on the extreme left of the QTTD. The firer again shifts back to reengage the first target. The procedure is used to teach the firer to instinctively return to the first target if he misses it with his first shot.

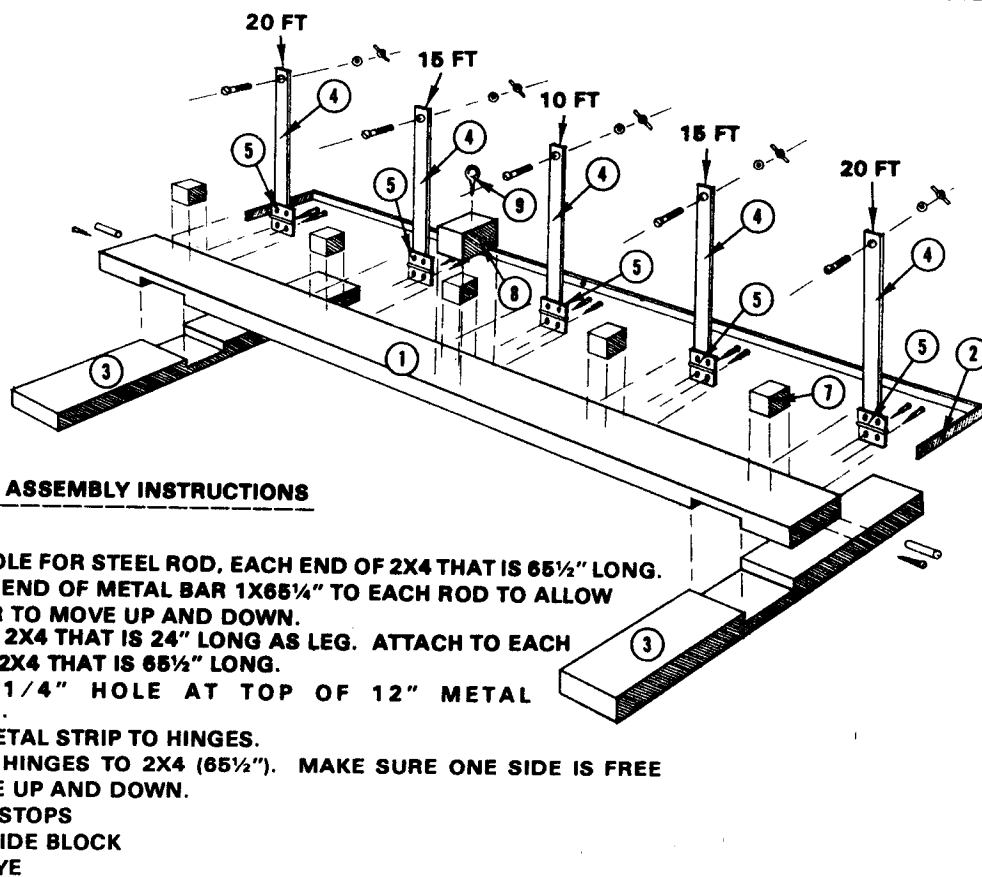
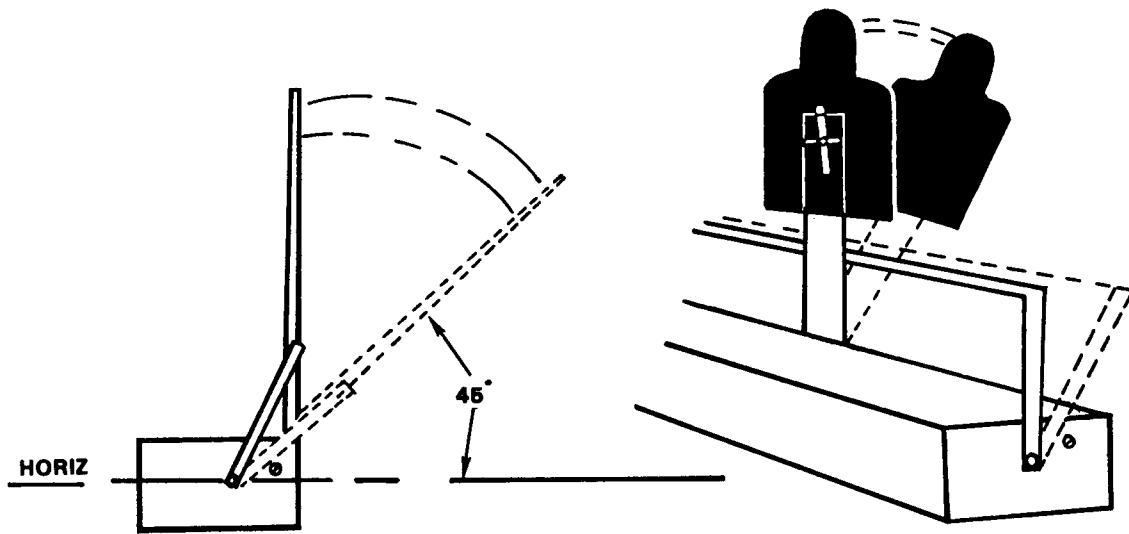


Figure 2-28. Miniature E-type silhouette for use with QTTD.



**NOTES:**

1. ROD ON EACH END TO ALLOW TO MOVE.
2. "STOP" IS PLACED TO STOP TARGET AT 45 DEGREE ANGLE.

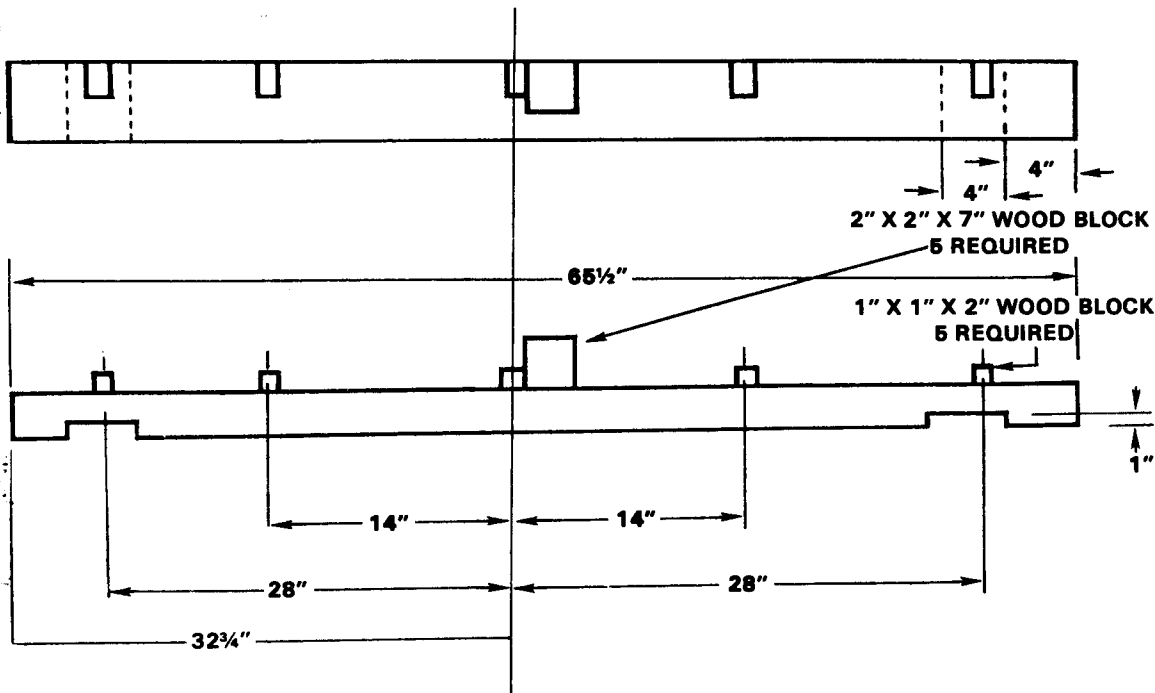


Figure 2-28. Miniature E-type silhouette for use with QTTD (continued).

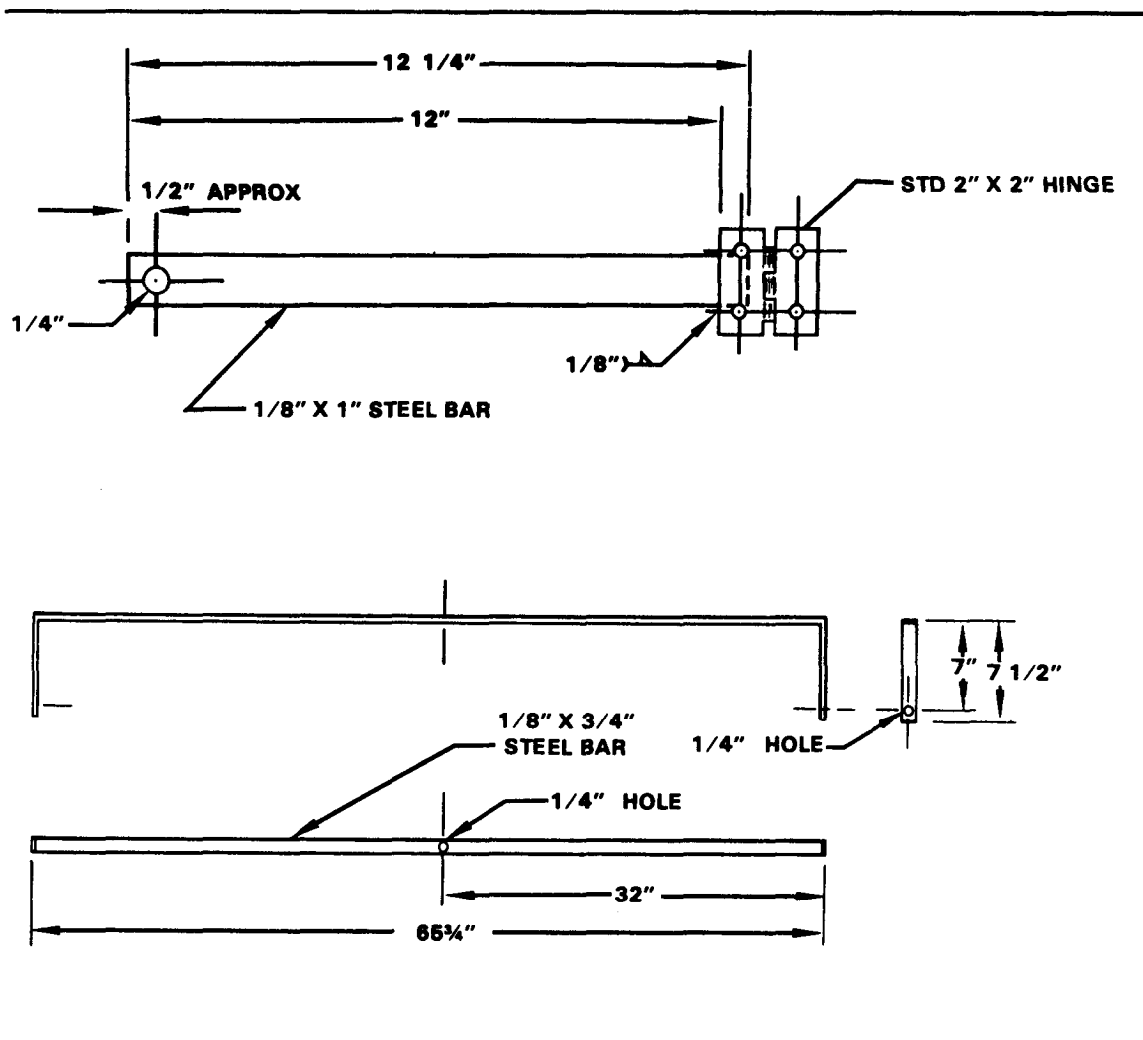


Figure 2-28. Miniature E-type silhouette for use with QTTD (continued).

(3) The firer performs this exercise twice, firing three shots each time. Before firing the second time, the coach and firer should discuss the errors made during the first exercise.

PHASE V. Seven shots fired from 20, 15, and 10 feet at miniature E-type silhouettes.

(1) The firer starts this exercise 30 feet from the QTTD. The command, MOVE OUT, is given, and the firer steps out at a normal pace with the weapon held in the ready position. Upon the command, FIRE (given at the 20-foot line), the firer assumes the crouch position and engages the 20-foot miniature E-type silhouette on the extreme

right of the QTTD. He then traverses between targets, engages the same type target on the extreme left of the QTTD, and shifts back to the first target. If the target is still up, he engages it. The firer then assumes the standing position and returns the weapon to the ready position. Upon completion of each exercise, the coach makes corrections as the firer returns to the standing position.

- (2) On the command, MOVE OUT, the firer again steps off at a normal pace. Upon the command, FIRE (given at the 15-foot line), he engages the 15-foot targets on the QTTD. The same sequence of fire distribution is followed as with the previous exercise.
- (3) During this exercise, the firer moves forward on command, until he reaches the 10-foot line. At the command, FIRE, the firer engages the 10-foot miniature E-type silhouette in the center of the QTTD.

## 2-22. RANGE FIRING COURSES

Range firing is conducted after the firers have satisfactorily completed preparatory marksmanship training. The range firing courses are:

- a. Instructional firing is practice firing on a range, using the assistance of a coach.
  - (1) All personnel authorized or required to fire the pistol or revolver receive 12 hours of preliminary instruction that includes the following:
    - o Disassembly and assembly (does not apply to revolver).
    - o Loading, firing, unloading, and immediate action.
    - o Preparatory marksmanship.
    - o Care and cleaning.
  - (2) The tables fired for instructional practice are prescribed in the combat pistol qualification course in Appendix A and in the revolver qualification course in Appendix C. During the instructional firing, the CPQC or RQC is fired with a coach or instructor.

NOTE: The RQC is fired on the same range as the CPQC; for a picture of the CPQC see FM 25-7.

- b. The CPQC stresses the fundamentals of quick fire. It is the final test of a soldier's proficiency and the basis for his marksmanship classification. After the soldier has completed the instructional practice firing he will shoot the CPQC for record. A detailed description of the CPQC tables, standards, and conduct of fire is in Appendix A.

NOTE: The alternate pistol qualification course (APQC) or alternate revolver qualification course (ARQC) can be used for sustainment/qualification if the CPQC is not available (see Appendix B and Appendix D).

- c. The military police firearms qualification course is a practical course of instruction for police firearms training (see FM 19-10).

#### Section IV. SAFETY

Safety must be observed during all marksmanship training. Listed below are the precautions for each phase of training. It is not intended to replace AR 385-63 or local range regulations. Range safety requirements vary according to the requirements of the course of fire. It is mandatory that the latest range safety directives, and local range regulations be consulted to determine current safety requirements.

#### 2-23. REQUIREMENTS

- a. A red flag is displayed prominently on the range during all firing.
- b. Weapons must be handled carefully and are never pointed at anyone except the enemy in actual combat.
- c. A weapon is always assumed loaded until it has been thoroughly examined and found to contain no ammunition.
- d. Firing limits are indicated by red-and-white-striped poles visible to all firers.
- e. Obstructions should never be placed in the muzzle of any weapon about to be fired.
- f. Weapons are kept in a prescribed area with proper safeguards.

- g. Smoking is not allowed on the range near ammunition, explosives or flammables.

#### 2-24. BEFORE FIRING

- a. All prescribed roadblocks and barriers are closed, and guards are posted.
- b. All weapons are checked to ensure they are clear of ammunition and obstructions, and slides are locked to the rear.
- c. All firers are briefed on the firing limits of the range and firing lanes. They must keep their fires within prescribed limits.
- d. All firers are instructed on how to load and unload the weapon, and on safety features.
- e. All personnel are briefed on all safety aspects of fire and range pertaining to the conduct of the courses.
- f. No one moves forward of the firing line without permission of the tower operator, safety officer, or OIC.
- g. Weapons are loaded and unlocked only on command from the tower operator except during the conduct of the courses requiring automatic magazine changes.
- h. Weapons are not handled except on command from the tower operator.
- i. Firers must keep their weapons pointed downrange when loading, preparing to fire, or firing.

#### 2-25. DURING FIRING

- a. A firer does not move from his position until his weapon has been cleared by safety personnel, and it has been placed in its proper safety position. An exception is the assault phase.
- b. During Table 5 of the CPQC, firers remain on line with other firers on their right or left.
- c. Firers are careful to fire in their own firing lane and not to point the weapon into an adjacent lane, mainly during the assault phase.

- d. The air-operated pistol is treated as a loaded weapon. Firers observe the same safety precautions as with other weapons.
- e. All personnel wear helmets during live-fire exercises.
- f. The weapon is held in the raised position except when preparing to fire. It is then held in the ready position, pointed downrange.

#### 2-26. AFTER FIRING

- a. Safety personnel inspect all weapons to ensure they are clear. A check is conducted to determine if any brass or live ammunition is in possession of soldiers.
- b. Once cleared, pistols are secured with the slides locked to the rear, and revolvers with cylinders open.

#### 2-27. INSTRUCTIONAL PRACTICE AND RECORD QUALIFICATION FIRING

During these phases of firing, safety personnel ensure that the--

- a. Firer understands the conduct of the exercise.
- b. Firer has the required ammunition, and understands the commands for loading and unloading.
- c. Firer complies with all commands from the tower operator.
- d. Proper alignment is maintained with other firers while moving downrange.
- e. Weapon is always pointed downrange.
- f. Firer fires within the prescribed range limits.
- g. Weapon is cleared after each phase of firing, and the tower-operator is aware of the clearance.



APPENDIX A  
COMBAT PISTOL QUALIFICATION COURSE

A-1. COURSE INFORMATION

- a. The CPQC may be used for both the pistol and revolver (for use with revolvers see Appendix C). It requires the soldier to engage single and multiple targets at various ranges using the fundamentals of quick fire. If the CPQC is not available, training may still be sustained and qualification achieved by using the APQC or ARQC.

NOTE: For a picture of the CPQC, see FM 25-7.

- b. For each table of the CPQC, the firer is afforded extra rounds to reengage targets that are missed. During the course, 30 targets are exposed to the firer. However, 40 rounds of ammunition are issued with which to engage the exposed targets. A soldier who can reengage a target with an extra round during the exposure time is just as effective as one who hits the target with one round. The firer is not penalized for using or not using the extra ammunition. All excess ammunition is turned in after the completion of each table and may not be used during subsequent tables.
- c. Two magazine changes are required when firing the CPQC. For safety purposes, one magazine contains one round of ammunition and is loaded first. A target appears in front of the firer, and he engages it. Eight seconds later, another target appears. During the eight-second delay, the firer must reload the weapon and be prepared to engage the next exposed target. There are no commands from range personnel or coaches for the magazine change. If the firer fails to reload his pistol in time to engage the next target, it is scored as a miss. This exercise teaches the soldier to quickly and safely change his magazine by instinct under pressure.

NOTE: When using the M9 pistol, the firer fires the first round in the double-action mode for all tables.

d. The range to exposed targets does not exceed 31 meters from the firer. Target exposure times are as follows:

(1) Tables I, II, and III:

(a) Single targets - - - - - three seconds.

(b) Multiple targets - - - - - five seconds.

(2) Tables IV and V:

(a) Single targets - - - - - two seconds.

(b) Multiple targets - - - - - four seconds.

#### A-2. FIRING THE CPQC

NOTE: The target sequence is decided by the tower operators but is the same for all lanes. This prevents firers from getting ahead of firers in adjoining lanes. Target sequence will vary in distance from the firer, starting with 31 meters and allowing no more than two 7-meter targets.

a. Qualification tables are as follows:

NOTE: Tower controls all reloading for revolvers.

(1) Table I: One magazine with seven rounds, and five targets exposed. The standing position is assumed at the firing line with the weapon held at the ready position. Only single targets are exposed to the firer in this table. Target sequence is decided by the tower operator.

(2) Table II: One magazine with one round, one magazine with seven rounds, and six targets exposed. The firer assumes the same position on the firing line as in Table I. There are four single targets and one set of multiple targets exposed to the firer.

(a) The magazine with one round is loaded into the weapon--one target is then exposed to the firer.

- (b) After firing the pistol, the firer must change magazines at once. Three seconds after the target appears, the target is lowered if not hit.
- (c) Eight seconds later, another target appears. Again, the firer must engage this target in the required time, or it is scored a miss.
- (3) Table III: One magazine with seven rounds is loaded. Five targets are exposed--fired following rotation to another firing point. The firer assumes the same position on the firing line as in Tables I and II. Three single targets and one set of multiple targets are exposed to the firer. Target sequence is usually single, multiple, multiple, single, and multiple.
- (4) Table IV: One magazine with five rounds is loaded. Four targets are exposed starting with the same position used in the previous tables. Two single targets and one set of multiple targets are exposed to the firer.
- (5) Table V: One magazine with one round, one magazine with seven rounds, one magazine with five rounds, and ten targets exposed. The firer begins 10 meters behind the firing line in the middle of the trail.
  - (a) The magazine containing one round is loaded into the pistol. The firer places the magazine containing seven rounds in his magazine pouch where it is closest to the firing hand. The magazine containing five rounds is placed in the magazine pouch farthest from the firing hand.
  - (b) When the firer reaches the firing line, a single target is exposed for two seconds, then lowered if not hit. There is an eight-second delay to allow the firer to change magazines. The seven-round magazine should be loaded at this time.
  - (c) At the end of eight seconds, another single target is exposed to the firer. Again, should the firer not have loaded his second magazine in time to engage this target, it is scored a miss.
  - (d) When the tower operator is sure that the firing line has completed the magazine change, he gives the command, MOVE OUT. He exposes two sets of multiple targets at various ranges from the firer.

- (e) After exposure of two sets of multiple targets, the pistol is reloaded with the five-round magazine. The command, MOVE OUT, is given; and the remaining targets are presented to the firer in sequence. After the last targets are hit or lowered, the weapon is cleared.
- (f) The firer, holding the weapon in the raised pistol position with the slide to the rear, returns to the starting point and places the weapon on the stand. Excess ammunition is turned in to the ammunition point. The next order moves to the firing line.
- b. The same course is fired for night qualification. It is based on a GO/NO-GO scoring system: 5 target hits equal a GO; 10 seconds are allowed for each round.
- c. The same course is fired for NBC qualification. It is based on a GO/NO-GO scoring system: 7 target hits equal a GO; 10 seconds are allowed for each round.

NOTE: Night and NBC qualification is required IAW DA Pam 350-38.

### A-3. CONDUCT OF FIRE

When the weapon is being fired, firers are issued the rounds required to fire a specific table. The following list of commands outlines a step-by-step sequence for conducting range firing on the CPQC.

a. Table I.

- (1) The tower operator orders firers to move to the firing line in preparation for firing. The tower operator orders firers to position themselves next to the weapon stands and secure their weapons. Magazines containing seven rounds are issued to the scorers and given to the firers.
- (2) The tower operator commands:

TABLE ONE, SEVEN ROUNDS.  
LOAD AND LOCK.  
READY ON THE RIGHT.  
READY ON THE LEFT.  
READY ON THE FIRING LINE.  
UNLOCK YOUR WEAPONS.  
WATCH YOUR LANE.

- (3) The tower operator exposes the targets to the firers. When all targets have been exposed and engaged or lowered, the tower operator commands:

CEASE FIRE.  
CLEAR ALL WEAPONS.  
CLEAR ON THE RIGHT.  
CLEAR ON THE LEFT.  
THE FIRING LINE IS CLEAR.  
FIRERS, PLACE YOUR WEAPONS ON THE STANDS.

b. Table II.

- (1) The tower operator orders firers to secure their weapons. One magazine of one round and one magazine of seven rounds are issued to the firers.

- (2) The tower operator commands:

TABLE TWO, EIGHT ROUNDS.  
LOAD AND LOCK.  
READY ON THE RIGHT.  
READY ON THE LEFT.  
READY ON THE FIRING LINE.  
UNLOCK YOUR WEAPONS.  
WATCH YOUR LANE.

- (3) The tower operator exposes the targets to the firers. When all targets have been exposed and engaged or lowered, the tower operator commands:

CEASE FIRE.  
CLEAR ALL WEAPONS.  
CLEAR ON THE RIGHT.  
CLEAR ON THE LEFT.  
THE FIRING LINE IS CLEAR.  
FIRERS, KEEP YOUR WEAPONS POINTED UP  
AND DOWNRANGE.  
MOVE TO THE FIRING POINT TO YOUR  
RIGHT.

c. Table III.

- (1) The tower operator orders the firers to position themselves next to the weapon stands. One magazine of seven rounds is issued to the firers.

- (2) The tower operator commands:

TABLE THREE, SEVEN ROUNDS.  
LOAD AND LOCK  
READY ON THE RIGHT.  
READY ON THE LEFT.  
READY ON THE FIRING LINE.  
UNLOCK YOUR WEAPONS.  
WATCH YOUR LANE.

- (3) The tower operator exposes the targets to the firers. When all targets have been exposed and engaged or lowered, the tower operator commands:

CEASE FIRE.  
CLEAR ALL WEAPONS.  
CLEAR ON THE RIGHT.  
CLEAR ON THE LEFT.  
THE FIRING LINE IS CLEAR.  
FIRERS, PLACE YOUR WEAPONS ON THE STAND.

d. Table IV.

- (1) The tower operator orders the firers to secure their weapons and move to the center of the trail. Firers are issued one magazine of five rounds.

- (2) The tower operator commands:

TABLE FOUR, FIVE ROUNDS.  
LOAD AND LOCK.  
READY ON THE RIGHT.  
READY ON THE LEFT.  
READY ON THE FIRING LINE.  
UNLOCK YOUR WEAPONS.  
WATCH YOUR LANE.

- (3) The tower operator exposes the targets to the firers. When all targets have been exposed and engaged or lowered, the tower operator commands:

CEASE FIRE.  
CLEAR ALL WEAPONS.  
CLEAR ON THE RIGHT.  
CLEAR ON THE LEFT.  
THE FIRING LINE IS CLEAR.  
FIRERS, PLACE YOUR WEAPONS ON THE STAND  
TO THE REAR OF THE FIRING LINE.

e. Table V.

- (1) The tower operator orders the firers to secure their weapons. Firers are issued one magazine of

one round, one magazine of seven rounds, and one magazine of five rounds.

- (2) The tower operator commands:

TABLE FIVE, THIRTEEN ROUNDS.  
LOAD AND LOCK.  
READY ON THE RIGHT.  
READY ON THE LEFT.  
READY ON THE FIRING LINE.  
PISTOLS AT THE READY POSITION.  
UNLOCK YOUR WEAPON.  
WATCH YOUR LANE.  
MOVE OUT.

- (3) The tower operator exposes the targets to the firers. He gives the firers the commands, WEAPONS AT THE READY POSITION and MOVE OUT, after each target or group of targets has been engaged.

- (4) Upon completion of Table V, the tower operator commands:

CEASE FIRE.  
CLEAR ALL WEAPONS.  
CLEAR ON THE RIGHT.  
CLEAR ON THE LEFT.  
THE FIRING LINE IS CLEAR.  
FIRERS, KEEP YOUR WEAPONS UP AND DOWN-RANGE.  
SCORERS AND FIRERS MOVE BACK TO THE FIRING LINE AND PLACE YOUR WEAPONS ON THE STAND.

- (5) The tower operator has each scorer total the firer's scorecard and turn it in to the range officer or his representative. The firing orders are rotated and the above sequence continued until all orders have fired.

NOTE: For night qualification and NBC qualification, the same course is used. Ten seconds is allowed for each round.

#### A-4. ALIBIS

- a. Alibis are fired at the completion of each table from the position where the alibi occurred. Fire commands that apply to the table are used to fire an alibi.

- b. If a malfunction of weapon or targets occurs during firing from stationary positions, the firer reports the malfunction, and keeps his weapon pointed up and downrange. Should the malfunction occur during Table V, the firer keeps his weapon pointed up and downrange. He continues to move forward, keeping aligned with the firers to his right and left.

#### A-5. RULES

Rules governing firing the CPQC are as follows:

- a. Coaching. Coaching is not allowed during record firing. No person may give or try to give help while the firer is taking his position or after he has taken his position at the firing point. Each firer must observe the location of the target in his own lane. During the instructional firing, the coach and assistant instructors should assist the firer in correcting errors.
- b. Accidental Discharges. All shots fired by the firer are scored after he has taken his place on the firing lane. Even if the weapon is not directed toward a target or is accidentally discharged, a replacement round is not issued.
- c. Firing on the Wrong Target. Shots fired on the wrong target are entered as a miss on the firing scorecard. A firer is credited with hits he attains in his own firing lane.
- d. Firing After the Signal to Lower Targets. Any shot fired by a firer after targets start to lower are scored as a miss.
- e. More Than One Shot Fired at an E-Type Silhouette Target. The firer is credited with a hit if the hit is made during the target exposure time. The number of rounds fired to obtain the hit is immaterial.
- f. Excess Ammunition at the End of a Firing Table. Excess ammunition from each table is turned in to the ammunition point and not used by the firer for subsequent tables.
- g. Target Sequence. The target sequence is decided by the tower operator but is the same for all lanes. This prevents firers from getting ahead of



firers in adjoining lanes. Target sequence will vary in distance from the firer, starting with 31 meters and allowing no more than two 7-meter targets.

## A-6. SCORECARD

- a. Use. The scorecard outlines instructional firing and qualification firing (CPQC) (see Figure A-1). Numbers in column labeled TGT (target) are not the sequence in which targets are exposed. They are the numerical identification of targets to be engaged during each table of fire.

Lane No.	COMBAT PISTOL QUALIFICATION COURSE SCORECARD		Date		
1	FOR USE OF THIS FORM SEE FM 23-35; PROponent AGENCY IS USCONARC.		29 MAR 88		
Order 2	Group 2		Unit C Co 2/29		
Name <u>Fetty Leonard H.</u> 232-00-6380					
(Last) (First) (MI) (SSN)					
<b>TABLE I</b> 1 magazine 7 rds.		<b>TABLE IV</b> 1 magazine 5 rds.			
TIME	TGT	HITS	TIME	TGT	HITS
3 Seconds	1	X	2 Seconds	1	M
3 Seconds	2	X	2 Seconds	2	X
3 Seconds	3	M	4 Seconds	3	X
3 Seconds	4	X	4 Seconds	4	X
3 Seconds	5	X	TOTAL	30	
TOTAL	40				
<b>TABLE II</b> 1 magazine 1 rd. 8 second delay for magazine change. 1 magazine 7 rds.		<b>TABLE V</b> 1 magazine 1 rd. 8 second delay for magazine change. 1 magazine 7 rds. Controlled magazine change 1 magazine 5 rds.			
TIME	TGT	HITS	TIME	TGT	HITS
3 Seconds	1	X	2 Seconds	1	X
3 Seconds	2	X	2 Seconds	2	X
5 Seconds	3	X	4 Seconds	3	M
4	X	4	4	X	
3 Seconds	5	X	4 Seconds	5	X
3 Seconds	6	X	4 Seconds	6	X
TOTAL	60		2 Seconds	7	X
<b>TABLE III</b> 1 magazine 7 rds.		2 Seconds 8 X			
TIME	TGT	HITS	4 Seconds	9	X
3 Seconds	1	X	4 Seconds	10	X
3 Seconds	2	X	TOTAL	90	
3 Seconds	3	X			
4	X				
5 Seconds	5	X			
TOTAL	50				
Scorer's Signature <i>Russ Williams</i>		TOTAL HITS 27			
Officer's Signature <i>Leonard H. Fetty</i>		TOTAL SCORE 270			
Notes:		<b>QUALIFICATION</b>			
1. When the revolver is being fired, firers are issued number of rounds required to fire a specific table. Officer in charge of firing establishes procedure for loading and reloading. All reloading is controlled; however, time allowed for target engagement is not changed.		Expert 260			
2. Tables 1, 2, 5 are fired for familiarization and instructional firing.		Sharpshooter 210			
		Marksman 160			
DA FORM 88 5 Sep 71		Previous editions of this form are obsolete.			

Figure A-1. Sample scorecard, DA Form 88.

- b. Scoring. Each time a target is hit or killed, an X is placed in the column labeled HITS. The value of a hit is 10 points. Upon completion of firing the CPQC, the scorer totals and signs the scorecard. Qualification standards are listed in the bottom right corner on the record firing side of the scorecard. They are:

Expert - 260 to 300.  
Sharpshooter - 210 to 250.  
Marksman - 160 to 200.  
Unqualified - below 160.  
NBC and Night Firing is on a GO/NO-GO scoring system and recorded in the remarks column.  
Night: 5 target hits = GO.  
NBC: 7 target hits = GO.

- c. Supply of Forms. DA Form 88 is available through normal publications supply channels.

#### A-7. TARGETS

Seven electric target device targets and E-type silhouettes for each firing lane are required. Aggressor figures may be superimposed on the silhouettes to add realism to the course of fire.

#### A-8. QUICK-TARGET TRAINING DEVICE

The QTTD may be procured locally. For durability and appearance, it should be made by the training aids section or an equally capable agency.

## APPENDIX B

### ALTERNATE PISTOL QUALIFICATION COURSE

#### B-1. PROCEDURES

Once the soldier has completed instructional firing, he must then fire the CPQC for record. If the CPQC is not available, the soldier can fire the APQC.

- a. Procedures for firing the APQC are as follows, given 40 rounds of ammunition, fire Tables 1 through 4.
  - (1) Table 1: Engage the 25-meter APQC target from the standing position with 7 rounds of ammunition; given one 7-round magazine on a 25-meter range during daylight hours. Within 21 seconds engage the APQC target from the standing position.
  - (2) Table 2: Engage the 25-meter APQC target from the kneeling position with 13 rounds; given two magazines, one 6-round and one 7-round, on a 25-meter range during hours of daylight. Within 45 seconds, from a standing position, assume a good kneeling position, engage the target with 6 rounds, perform a rapid magazine change, and engage the target with a 7-round magazine.
  - (3) Table 3: Engage the 25-meter APQC target from the crouch position with 10 rounds; given two magazines with 5 rounds each on a 25-meter range during daylight hours. Within 35 seconds, from a standing position, assume a good crouch position, engage the target with one 5-round magazine, perform a rapid magazine change, and engage the target with the second 5-round magazine.
  - (4) Table 4: Engage the 25-meter APQC target from the prone position with 10 rounds; given two magazines with 5 rounds each on a 25-meter range during daylight hours. Within 35 seconds from a standing position, assume a good prone position, engage the

target with one 5-round magazine, perform a rapid magazine change, and engage the target with the second 5-round magazine.

- b. Firing Pistol Under Night Conditions. Engage the 25-meter target from the crouch position with 30 rounds; given two 15-round magazines of M9 9-mm ammunition or four 7-round magazines and one 2-round magazine of M1911A1 ammunition on a 25-meter range under night conditions. Given 10 seconds for each round, engage E-type silhouettes with 10 rounds. Conduct magazine changes without command. Tower will allow 8 seconds for each magazine change.
- c. Firing Pistol Under NBC Conditions. Engage a 25-meter target from a crouch position with 20 rounds; given one 15-round magazine and one 5-round magazine of M9 9-mm ammunition or two 7-round magazines and one 6-round magazine of M1911A1 ammunition on a 25-meter range under simulated NBC conditions. During daylight hours, given 10 seconds for each round, engage E-type silhouettes with 20 rounds of ammunition. Conduct magazine changes without command. Tower will allow 10 seconds for each magazine change.

NOTE: When using the 9-mm pistol, the first round is fired in the double-action mode for all four tables. Night and NBC qualification is required IAW DA Pam 350-38.

## B-2. CONDUCT OF FIRE

- a. The following commands outline a step-by-step sequence for conducting range firing on the APQC.

(1) Table 1: Standing position.

- (a) The tower operator gives the order to move to the firing line and to prepare to fire. The magazine containing seven rounds is issued to the scorer and given to the firer on command. The tower operator commands:

TABLE ONE, STANDING POSITION, SEVEN  
ROUNDS.  
LOAD AND LOCK.  
IS THE LINE READY?

(The 9-mm firers place their weapons in the double-action mode at this time.)

THE FIRING LINE IS READY.  
FIRERS, WATCH YOUR LANE!

(b) At the end of prescribed firing time, the tower operator commands:

CEASE FIRE.  
ARE THERE ANY ALIBIS?

(Alibis are given eight seconds for each round not fired.)

NOTE: For more information see paragraph B-3.

UNLOAD AND CLEAR ALL WEAPONS.  
IS THE FIRING LINE CLEAR?  
THE FIRING LINE IS NOW CLEAR.  
FIRERS AND SCORERS MOVE DOWNRANGE AND  
CHECK YOUR TARGETS.

(Weapons are left on firing line with slides locked to the rear.)

NOTE: Clear, lock open, and leave weapons on the table, or stand weapons at the firing line when the firer and scorer go downrange to score their target.

(2) Table 2: Kneeling position.

The tower operator orders firers to move up to the firing line. Two magazines containing six rounds and seven rounds each are issued to the scorer to be given to the firer on command. The tower operator commands.

TABLE TWO, KNEELING POSITION WITH  
MAGAZINE CHANGE, FORTY-FIVE SECONDS.  
LOCK AND LOAD ONE SIX-ROUND MAGAZINE  
LOAD YOUR SEVEN-ROUND MAGAZINE WITHOUT  
COMMAND.

NOTE: The following commands are the same as for Table 1.

(3) Table 3: Crouch position.

The tower operator orders firers to move up to the firing line. Scorers are issued two 5-round magazines to be issued to the firer on command. The tower operator commands:

TABLE THREE, CROUCH POSITION WITH  
MAGAZINE CHANGE, THIRTY-FIVE SECONDS.  
LOAD YOUR SECOND FIVE-ROUND MAGAZINE  
WITHOUT COMMAND.

NOTE: The following commands are the same as for  
Tables 1 and 2.

(4) Table 4: Prone position.

The tower operator orders firers to move to the  
firing line. Firers are issued two 5-round magazines.  
The tower operator orders:

TABLE FOUR, PRONE POSITION WITH MAGAZINE  
CHANGE, THIRTY-FIVE SECONDS.  
LOAD YOUR SECOND FIVE-ROUND MAGAZINE  
WITHOUT COMMAND.

NOTE: The following commands are the same as for  
Tables 1, 2, and 3.

(5) The scorer and firer repair or replace targets for  
the next firing order.

b. The commands for the pistol night fire for record  
are as follows:

(1) The tower operator orders to move to the firing  
line and to prepare to fire. Two magazines of 15  
rounds of M9 ammunition or four 7-round magazines  
and one 2-round magazine of M1911A1 ammunition are  
issued to firers.

(2) The tower operator commands:

NIGHT FIRE, CROUCH POSITION WITH  
MAGAZINE CHANGES.  
LOAD OTHER MAGAZINES WITHOUT COMMAND.  
LOAD AND LOCK ONE MAGAZINE.

(M1911A1 firers must load their two-round magazine  
first.)

IS THE FIRING LINE READY?

(M9 firers must place their weapons in the  
double-action mode.)

THE FIRING LINE IS READY.  
FIRERS, WATCH YOUR LANE.

- (3) At the end of the prescribed firing time, the tower operator commands:

CEASE FIRE.  
ARE THERE ANY ALIBIS?

(Alibis are given 10 seconds for each round not fired.)

UNLOAD AND CLEAR ALL WEAPONS.  
IS THE FIRING LINE CLEAR?  
THE FIRING LINE IS NOW CLEAR.  
FIRERS AND SCORERS MOVE DOWNRANGE AND  
CHECK YOUR TARGETS.

(Weapons are left on the firing line with slides locked to the rear.)

- c. The commands for the pistol NBC fire for record are as follows:

- (1) The tower operator orders to move to the firing line and to prepare to fire. Firer is given one 15-round magazine and one 5-round magazine of M9 ammunition or two 7-round magazines and one 6-round magazine of M1911A1 ammunition.

- (2) The tower operator commands:

NBC FIRE, CROUCH POSITION WITH MAGAZINE  
CHANGE.  
LOAD OTHER MAGAZINES WITHOUT COMMAND.  
LOAD AND LOCK ONE MAGAZINE.

(M9 firers load 5-round magazine first; M1911A1 firers load 6-round magazine first.)

IS THE FIRING LINE READY?

(M9 firers must place their weapons in the double-action mode.)

THE FIRING LINE IS READY.  
FIRERS, WATCH YOUR LANE.

- (3) At the end of the prescribed firing time, the tower operator commands:

CEASE FIRE.  
ARE THERE ANY ALIBIS?

(Alibis are given 8 seconds for each round not fired.)

UNLOAD AND CLEAR ALL WEAPONS.  
IS THE FIRING LINE CLEAR?  
THE FIRING LINE IS NOW CLEAR.  
FIRERS AND SCORERS MOVE DOWNRANGE AND  
CHECK YOUR TARGETS.

(Weapons are left on the firing line with slides locked to the rear.)

NOTE: Excess ammunition at the end of a firing table is turned in to the scorer and not used by the firer in subsequent tables. At the end of the course, all excess ammunition is turned in to the ammunition point.

### B-3. ALIBIS

If there is a malfunction of the weapon or target during firing, the scorer reports and records the malfunction. The firer is allowed one alibi (eight seconds for each round) at the completion of each table. All alibis are fired from the position in which the alibis occur. Firing commands that apply are used to fire alibis.

### B-4. SCORING

- a. The firer is scored on the number of target hits during the time limit. The firer must achieve at least 24 hits with a minimum score of 80 points to qualify. The target hits are multiplied by the number inside the scoring rings to determine the score. No credit is given for rounds fired after the command CEASE FIRE. Shots that touch the next higher scoring ring are scored the next higher value. (See Figure B-1.)
- b. The qualification scores are:

Expert - 160 to 200.  
Sharpshooter - 120 to 159.  
Marksman - 80 to 119.  
NBC and night firing are done on a GO\  
NO-GO scoring system and recorded in  
remarks column.

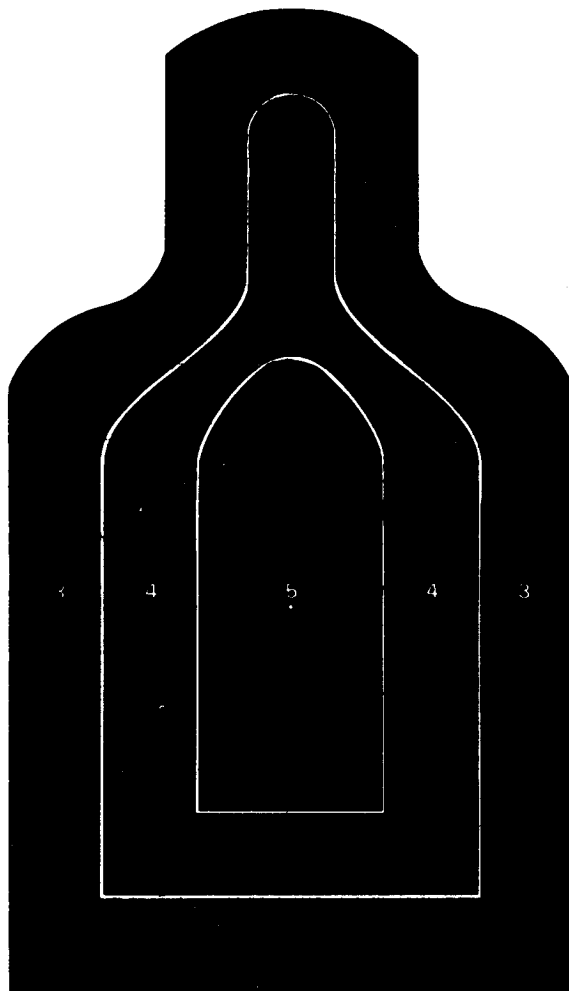
### B-6



NBC: 7 target hits = GO.  
Night: 5 target hits = GO.

NOTE: See format for scorecard in Figure B-2.

- c. Coaching is allowed during instructional firing but not during record fire. No one may assist while the firer is taking position or after taking position at the firing point except for safety reasons.
- 



---

Figure B-1. The 25-meter E-type silhouette with rings (NSN 6920-01-276-6604).

ALTERNATE PISTOL QUALIFICATION COURSE																
For use of this form, see FM 23-35; the Proponent agency is TRADOC.																
NAME: (Last, First, MI) <i>Yentpeg Joe M</i>			DATE <i>29 Apr 88</i>													
LANE NO. <i>3</i>	ORDER <i>1</i>	UNIT <i>C Co 2nd AF</i>	SSN <i>333-33-3333</i>													
TABLE 1 - STANDING POSITION: 1 Magazine - 7 Rounds - 21 Seconds																
HITS		<table border="1"><tr><td>X</td><td>X</td><td>X</td><td>X</td><td>X</td><td>X</td><td>X</td></tr></table>	X	X	X	X	X	X	X	HITS <u>7</u>						
X	X	X	X	X	X	X										
SCORE		<table border="1"><tr><td>5</td><td>5</td><td>4</td><td>4</td><td>5</td><td>4</td><td>5</td></tr></table>	5	5	4	4	5	4	5	SCORE <u>32</u>						
5	5	4	4	5	4	5										
TABLE 2 - KNEELING POSITION: First Magazine - 6 Rounds - 45 Seconds Second Magazine - 7 Rounds																
HITS		<table border="1"><tr><td>X</td><td>X</td><td>X</td><td>X</td><td>X</td><td>X</td><td>X</td><td>X</td><td>X</td><td>X</td><td>X</td><td>X</td><td>X</td></tr></table>	X	X	X	X	X	X	X	X	X	X	X	X	X	HITS <u>12</u>
X	X	X	X	X	X	X	X	X	X	X	X	X				
SCORE		<table border="1"><tr><td>5</td><td>5</td><td>5</td><td>5</td><td>5</td><td>5</td><td>5</td><td>4</td><td>5</td><td>4</td><td>5</td><td>5</td><td>5</td></tr></table>	5	5	5	5	5	5	5	4	5	4	5	5	5	SCORE <u>58</u>
5	5	5	5	5	5	5	4	5	4	5	5	5				
TABLE 3 - CROUCH POSITION: 2 Magazines - 5 Rounds Each - 35 Seconds																
HITS		<table border="1"><tr><td>X</td><td>X</td><td>X</td><td>X</td><td>X</td><td>X</td><td>X</td><td>X</td><td>X</td><td>X</td></tr></table>	X	X	X	X	X	X	X	X	X	X	HITS <u>10</u>			
X	X	X	X	X	X	X	X	X	X							
SCORE		<table border="1"><tr><td>5</td><td>5</td><td>5</td><td>5</td><td>5</td><td>4</td><td>5</td><td>5</td><td>5</td><td>5</td></tr></table>	5	5	5	5	5	4	5	5	5	5	SCORE <u>49</u>			
5	5	5	5	5	4	5	5	5	5							
TABLE 4 - PRONE POSITION: 2 Magazines - 5 Rounds Each - 35 Seconds																
HITS		<table border="1"><tr><td>X</td><td>X</td><td>X</td><td>X</td><td>X</td><td>X</td><td>X</td><td>X</td><td>X</td><td>X</td></tr></table>	X	X	X	X	X	X	X	X	X	X	HITS <u>10</u>			
X	X	X	X	X	X	X	X	X	X							
SCORE		<table border="1"><tr><td>5</td><td>5</td><td>5</td><td>5</td><td>5</td><td>5</td><td>5</td><td>5</td><td>5</td><td>3</td></tr></table>	5	5	5	5	5	5	5	5	5	3	SCORE <u>48</u>			
5	5	5	5	5	5	5	5	5	3							
QUALIFICATION:			TOTAL HITS <u>39</u>													
EXPERT 160-200			TOTAL SCORE <u>187</u>													
SHARPSHOOTER 120-159																
MARKSMAN 80-119																
SCORER'S SIGNATURE <i>Leonard A. Kelly</i>	DATE <i>29 Apr 88</i>	OFFICER'S SIGNATURE <i>David J. Smith</i>	DATE <i>29 Apr 88</i>													
REMARKS: <i>Night Fire - 60</i> <i>NBC Fire - 60</i>																
NOTES: 1. HITS ARE MARKED WITH "X" AND MISSES ARE MARKED WITH "M." 2. THE FIRER MUST ACHIEVE A MINIMUM OF 24 HITS AND A MINIMUM SCORE OF 80 POINTS TO QUALIFY.																
DATA REQUIRED BY PRIVACY ACT OF 1974																
AUTHORITY: 10USC30129g / Executive Order 9897. PRINCIPAL PURPOSE(S): Records individual's performance on Record Fire Range. ROUTINE USE(S): Evaluation of individual's proficiency and basis for determination of award of proficiency badge. SSN is used for positive identification purposes only. MANDATORY OR VOLUNTARY DISCLOSURE AND EFFECT ON INDIVIDUAL NOT PROVIDING INFORMATION: Voluntary. Individuals not providing information cannot be rated/scored on a mess basis.																

DA Form 5704-R, SEP 88

Figure B-2. Example of completed Alternate Pistol Qualification Course form.

NOTE: See Appendix F for blank copy of this form for local reproduction.

## APPENDIX C

### REVOLVER QUALIFICATION COURSE

#### C-1. COURSE INFORMATION

- a. The CPQC is used for both pistols and revolvers. This appendix outlines its use with revolvers only (for use with pistols see Appendix A). The CPQC requires the soldier to engage single and multiple timed targets at various ranges using the fundamentals of quick fire. If a CPQC is not available, training and qualification may be conducted using the standard 25-meter range and the ARQC (see Appendix D).

NOTE: For range design and layout of the CPQC, see FM 25-7.

- b. For each table of the RQC, the firer is afforded extra rounds to reengage targets that are missed. During the course 30 targets are presented to the firer; however, the firer is given 40 rounds to engage these targets. A firer who can successfully reengage the target with a second round during the exposure time is just as effective as a firer who hits the target with the first round. The firer is not penalized for using or not using the extra rounds he is allocated. All excess ammunition is turned in at the end of each table and is not used for subsequent tables.
- c. All reloads will be controlled by the tower operator. If the firer fails to engage a target within the timed exposure, that target is scored as a miss. This teaches him to quickly apply the fundamentals of pistol marksmanship under stress.
- d. The range to exposed targets does not exceed 31 meters from the firer. Target exposure times are as follows
  - (1) Tables I, II, and III:
    - (a) Single targets -----three seconds.

(b) Multiple targets-----five seconds.

(2) Tables IV and V:

(a) Single targets-----two seconds

(b) Multiple targets-----four seconds.

## C-2. FIRING THE RQC

NOTE: Target sequence is decided by the tower operator, but is the same for all lanes to prevent firers from getting in front of other firers in adjoining lanes. Targets will vary in distance to the firers, starting at 31 meters and allowing no more than two 7-meter targets.

a. Qualification tables are as follows:

(1) Table I: The revolver is loaded with six rounds. The standing position is assumed at the firing line with the weapon in the ready position. Four targets are exposed. The tower operator controls the reloading of the last round, followed by the exposure of the last target. Firers are reminded before the beginning of the table that they will have only seven rounds for five targets.

(2) Table II: The revolver is loaded with six rounds. Two single and one set of multiple targets are exposed before reloading is conducted under control of the tower operator. The remaining two rounds are loaded, and the last two single targets are exposed. The firer is advised before the start of the table that he will only have eight rounds with which to engage the six targets. Firers assume the same position as Table I.

(3) Table III: The revolver is loaded with six rounds. One single and one set of multiple targets are exposed, followed by the reloading of the last round under the control of the tower operator. The remaining two single targets are then exposed to the firer. Firers are reminded before the start of the table that they will have seven rounds to engage five targets.

- (4) Table IV: The revolver is loaded with five rounds. Two single and one multiple target are exposed to the firer. No reloading takes place in this table.
- (5) Table V: Firers are given 13 rounds. Ten targets are exposed throughout the table. The firer begins 10 meters behind the firing line in the middle of the trail.
- (a) Six rounds are loaded into the revolver.
  - (b) When the firer reaches the firing line, a single target is exposed for two seconds, then lowered if not hit.
  - (c) One set of multiple targets is exposed to the firer. The firer is allowed four seconds to engage the targets. If targets are not engaged, they are scored a miss.
  - (d) When the tower operator has controlled reloading, he gives the command, MOVE OUT, and exposes two sets of multiple targets at various ranges from the firer.
  - (e) When the tower operator has controlled reloading, he gives the command, MOVE OUT, and the remaining targets are presented in sequence. After the last targets are hit or lowered, the weapon is cleared.
  - (f) The firer, holding the weapon in the raised position with the cylinders open, returns to the starting point and places the weapon on the stand. Excess ammunition (if any) is turned in to the ammunition point. The next order moves to the firing line.
- b. The same course is fired for night qualification. It is scored on a GO/NO-GO scoring system: five target hits equal a GO. Ten seconds are allowed for each round.
  - c. The same course is fired for NBC qualification. It is based on a GO/NO-GO scoring-system: seven target hits equal a GO. Ten seconds are allowed for each round.

NOTE: Night and NBC qualification is required IAW DA Pam 350-38.

### C-3. CONDUCT OF FIRE

When the weapon is being fired firers are issued the number of rounds required to fire a specific table. The tower operator controls all loading and reloading. The following list of commands outlines a step-by-step sequence for conducting range firing on the RQC.

#### a. Table I.

- (1) The tower operator orders firers to move to the firing line in preparation for firing. The tower operator orders firers to position themselves next to the weapon stands and secure their weapons. Seven rounds are issued to scorers to be given to firers.

- (2) The tower operator commands:

TABLE ONE, SEVEN ROUNDS.  
LOAD SIX ROUNDS.  
READY ON THE RIGHT.  
READY ON THE LEFT.  
READY ON THE FIRING LINE.  
WATCH YOUR LANE.

- (3) The tower operator exposes two single targets to the firers. Once these targets have been engaged or lowered, the tower operator commands:

CEASE FIRE.  
LOAD REMAINING ROUND. (Tower allows appropriate time.)  
READY ON THE RIGHT.  
READY ON THE LEFT.  
READY ON THE FIRING LINE.  
WATCH YOUR LANE.

- (4) The tower operator exposes remaining three single targets to the firers. When all targets have been engaged or lowered, the tower operator commands:

CEASE FIRE.  
CLEAR ALL WEAPONS.  
CLEAR ON THE RIGHT.  
CLEAR ON THE LEFT.  
THE FIRING LINE IS CLEAR.  
FIRERS PLACE YOUR WEAPONS ON THE STANDS.  
(Leave cylinders open.)

b. Table II.

(1) The tower operator orders firers to secure their weapons. Eight rounds are issued to the scorers to be given to the firers.

(2) The tower operator commands:

TABLE TWO, EIGHT ROUNDS.  
LOAD SIX ROUNDS.  
READY ON THE RIGHT.  
READY ON THE LEFT.  
READY ON THE FIRING LINE.  
WATCH YOUR LANE.

(3) The tower operator exposes four single targets to the firers. When these targets have been engaged or lowered, the tower operator commands:

CEASE FIRE.  
LOAD TWO REMAINING ROUNDS. (Tower allows appropriate time.)  
READY ON THE RIGHT.  
READY ON THE LEFT.  
READY ON THE FIRING LINE.  
WATCH YOUR LANE.

(4) The tower operator exposes one set of multiple targets to firers. Once these targets have been engaged or lowered, the tower operator commands:

CEASE FIRE.  
CLEAR ALL WEAPONS.  
CLEAR ON THE RIGHT.  
CLEAR ON THE LEFT.  
THE FIRING LINE IS CLEAR.  
FIRERS, KEEP YOUR WEAPONS POINTED UP AND DOWN RANGE, MOVE TO THE FIRING POINT TO YOUR RIGHT.

c. Table III.

(1) The tower operator orders the firers to position themselves next to the weapon stands and secure their weapons. Seven rounds are issued to the scorers to be given to the firers.

(2) The tower operator commands:

TABLE THREE, SEVEN ROUNDS.  
READY ON THE RIGHT.  
READY ON THE LEFT.  
READY ON THE FIRING LINE.  
WATCH YOUR LANE.

- (3) The tower operator exposes three single targets to the firers. When all targets have been engaged or lowered, the tower operator commands:

CEASE FIRE.  
LOAD REMAINING ROUND. (Tower allows appropriate time.)  
READY ON THE RIGHT.  
READY ON THE LEFT.  
READY ON THE FIRING LINE.  
WATCH YOUR LANE.

- (4) The tower operator exposes one set of multiple targets to the firers. When all targets have been engaged or lowered, the tower operator commands:

CEASE FIRE.  
CLEAR ALL WEAPONS.  
CLEAR ON THE RIGHT.  
CLEAR ON THE LEFT.  
THE FIRING LINE IS CLEAR.  
FIRERS, PLACE YOUR WEAPONS ON THE STAND.  
(Leave cylinders open.)

d. Table IV.

- (1) The tower operator orders the firers to secure their weapons from the weapon stand and move to the center of the trail. Scorers are issued five rounds to be given to the firers.

- (2) The tower operator commands:

TABLE FOUR, FIVE ROUNDS.  
LOAD FIVE ROUNDS.  
READY ON THE RIGHT.  
READY ON THE LEFT.  
READY ON THE FIRING LINE.  
WATCH YOUR LANE..

- (3) The tower operator exposes two single targets and one set of multiple targets to the firers. When all targets have been engaged or lowered, the tower operator commands:



CEASE FIRE.  
CLEAR ALL WEAPONS.  
CLEAR ON THE RIGHT.  
CLEAR ON THE LEFT.  
THE FIRING LINE IS CLEAR.  
FIRERS, PLACE YOUR WEAPONS ON THE STANDS  
TO THE REAR OF THE FIRING LINE.  
(Leave cylinders open.)

e. Table V.

(1) The tower operator orders the firers to secure their weapons. Scorers are given 13 rounds to be given to the firers.

(2) The tower operator commands:

TABLE FIVE, THIRTEEN ROUNDS.  
LOAD SIX ROUNDS.  
READY ON THE RIGHT.  
READY ON THE LEFT.  
READY ON THE FIRING LINE.  
WEAPONS AT THE READY POSITION.  
WATCH YOUR LANE.  
MOVE OUT.

(3) The tower operator exposes one single target, then one set of multiple targets to the firers. Once the targets have been engaged or lowered, the tower operator commands:

CEASE FIRE.  
RELOAD CHAMBERS. (Tower operator allows appropriate time.)  
READY ON THE RIGHT.  
READY ON THE LEFT.  
READY ON THE FIRING LINE.  
WEAPONS IN THE READY POSITION.  
WATCH YOUR LANE.  
MOVE OUT.

(4) The tower operator exposes two sets of multiple targets to the firers. Once targets have been engaged or lowered, the tower operator commands:

CEASE FIRE.  
RELOAD CHAMBERS.  
READY ON THE RIGHT.  
READY ON THE LEFT.  
READY ON THE FIRING LINE.  
WEAPONS IN THE READY POSITION.

WATCH YOUR LANE.  
MOVE OUT.

- (5) The tower operator exposes one set of multiple targets and one single target to the firers. Once targets have been engaged or lowered, the tower operator commands:

CEASE FIRE.  
CLEAR ALL WEAPONS.  
CLEAR ON THE RIGHT.  
CLEAR ON THE LEFT.  
THE FIRING LINE IS CLEAR.  
FIRERS, KEEP YOUR WEAPONS UP AND  
DOWNRANGE.  
SCORERS AND FIRERS MOVE BACK TO THE  
FIRING LINE AND PLACE YOUR WEAPONS  
ON THE WEAPON STANDS. (Leave cylinders  
open.)

- (6) The tower operator has each scorer total the firers scorecard and turn it in to the range officer or his representative. The firing orders are rotated and the above sequence continued until all orders have fired.

NOTE: For night qualification and NBC qualification, the same course is used. Ten seconds is allowed for each round.

#### C-4. ALIBIS

- a. Alibis are fired at the completion of each table from the position where the alibi occurred. Fire commands that apply to the table are used to fire the alibi.
- b. If a malfunction of the weapon or target occurs during firing from stationary positions, the firer reports the malfunction and keeps his weapon pointed up and downrange. Should the malfunction occur during Table V, the firer keeps his weapon pointed up and downrange. He continues to move forward, keeping aligned with the firers to his right and left.

#### C-5. RULES

Rules governing firing the CPQC are as follows:

- a. Coaching. Coaching is not allowed during record firing. No person may give or try to give help while the firer is taking his position or after he has taken his position at the firing point. Each firer must observe the location of the target in his own lane. During the instructional firing, the coach and assistant instructors should assist the firer in correcting errors.
- b. Accidental Discharges. All shots fired by the firer are scored after he has taken his place on the firing lane. Even if the weapon is not directed toward a target or is accidentally discharged, a replacement round is not issued.
- c. Firing on the Wrong Target. Shots fired on the wrong target are entered as a miss on the firing scorecard. A firer is credited with hits he attains on his own firing lane.
- d. Firing After the Signal to Lower Targets. Any shot fired by a firer after targets start to lower are scored as a miss.
- e. More Than One Shot Fired at an E-type Silhouette Target. The firer is credited with a hit if the hit is made during the target exposure time. The number of rounds fired to obtain the hit is immaterial.
- f. Excess Ammunition at the End of the Firing Table. Excess ammunition from each table is turned in to the ammunition point and not used by the firer for subsequent tables.
- g. Rounds Issued. Firers are issued the number of rounds required to fire a specific table.
- h. Target Sequence. Target sequence is controlled by the tower operator but is the same for all lanes to prevent firers from getting in front of firers in adjoining lanes. Targets vary in distance from the firers, starting with 31 meters and allowing no more than two 7-meter targets.

#### C-6. SCORECARD

- a. Use. The scorecard (DA Form 88) outlines instructional firing and qualification firing (CPQC) (see Figure C-1). Numbers in columns labeled TGT (target) are not the sequence in which



targets are exposed. They are the numerical identification of targets to be engaged during each firing table.

NOTE: DA Form 88 is used to score the revolver qualification course.

- b. Scoring. Each time a target is hit or "killed," an X is placed in the column labeled HITS. The value of a hit is 10 points. Upon completion of firing the CPQC, the scorer totals and signs the scorecard. Qualification standards are listed in the bottom right-hand corner of the record firing side of the scorecard. They are:

Expert	260-300.
Sharpshooter	210-250.
Marksman	160-200.
Unqualified	Below 160.

NBC and night qualification is on a GO/NO-GO scoring system and recorded in the remarks column.

Night: 5 target hits = GO  
NBC: 7 target hits = GO

- c. Supply of Forms. DA Form 88 is available through normal publications supply channels (see Figure A-1).

#### C-7. TARGETS

Seven electric target device targets and E-type silhouettes for each firing lane are required. Aggressor figures may be superimposed on the silhouettes to add realism to the course of fire.

#### C-8. QUICK TARGET TRAINING DEVICE

The QTTD may be procured locally. For durability and appearance, it should be made by the training aids section or an equally capable agency.

## APPENDIX D

### ALTERNATE REVOLVER QUALIFICATION COURSE

#### D-1. PROCEDURES

Once the soldier completes instructional firing, he must then fire the CPQC for record. If the CPQC is not available, then the soldier may fire the ARQC.

NOTE: The tower operator controls all reloading.

- a. Procedures for Firing ARQC With the Caliber .38 Revolver.
  - (1) Table 1: Engage the 25-meter E-type silhouette target with rings from the standing position with six rounds of ammunition; given six rounds for the caliber .38 revolver on a 25-meter range during daylight. Within 21 seconds from the standing position, engage the E-type silhouette target (see Figure B-1).
  - (2) Table 2: Engage the 25-meter target from the kneeling position with 12 rounds; given 12 rounds of ball ammunition and a caliber .38 revolver on a 25-meter range during daylight. Within 23 seconds from a standing position, assume a good kneeling position and engage the target with six rounds. Repeat steps for next six rounds.
  - (3) Table 3: Engage the 25-meter target from the crouch position with 12 rounds; given 12 rounds of ball ammunition and a caliber .38 revolver on a 25-meter range during daylight. Within 23 seconds from a standing position, assume a good crouch position and engage the target with the first six rounds within 23 seconds. Repeat steps for next six rounds.
  - (4) Table 4: Engage the 25-meter target from the prone position with 10 rounds; given 10 rounds of ball ammunition and a caliber .38 revolver on a

25-meter range during daylight hours. Within 23 seconds from a standing position, assume a good prone position, and engage the target with the first six rounds. Repeat steps for next four rounds, allowing only 18 seconds.

- b. Firing Revolver Under Night Conditions. Engage the 25-meter target from a crouch position with 30 rounds; given 30 rounds of ball ammunition and a caliber .38 revolver on a 25-meter range during nighttime conditions. Within 60 seconds, engage six pop-up E-type silhouettes with six rounds. Reload only on command from the tower. Repeat steps for next 24 rounds.
- c. Firing Revolver Under Simulated NBC Conditions. Engage the 25-meter target from a crouch position with 20 rounds; given 20 rounds of ball ammunition and a caliber .38 revolver on a 25-meter range under simulated NBC conditions during daylight. Within 40 seconds, engage the 25-meter pop-up target with six rounds. Reload only on command from the tower. Repeat steps for next 14 rounds.

NOTE: Night and NBC qualification is required IAW DA Pam 350-38.

## D-2. CONDUCT OF FIRE

- a. The following commands outline a step-by-step sequence for conducting range firing on the ARQC.

(1) Table 1: Standing position.

- (a) The tower operator orders firers to move to the firing line and to prepare to fire. The caliber .38 rounds are issued to the scorer and given to the firer on command.

(b) The tower operator commands:

TABLE ONE, STANDING POSITION, SIX ROUNDS.  
LOAD.  
IS THE LINE READY?  
THE FIRING LINE IS READY.  
FIRERS, WATCH YOUR LANE!

- (c) At the end of prescribed firing time, the tower operator commands:

CEASE FIRE.  
ARE THERE ANY ALIBIS?

(Allowable alibis are given two seconds for each round not fired.)

NOTE: For more information, see paragraph C-3.

UNLOAD AND CLEAR ALL WEAPONS.  
IS THE FIRING LINE READY?  
THE FIRING LINE IS NOW CLEAR.  
FIRERS AND SCORERS MOVE DOWNRANGE AND  
CHECK YOUR TARGETS.

(All weapons are cleared and left on table, or they are left at the firing line with the cylinder in the open position.)

FIRERS AND SCORERS MOVE DOWNRANGE AND  
CHECK YOUR TARGETS.

(2) Table 2: Kneeling position.

(a) The tower operator orders firers to move to the firing line. Scorers are issued 12 rounds of caliber .38 ammunition to be given to the firer on command.

(b) The tower operator commands:

TABLE TWO, KNEELING POSITION, TWELVE  
ROUNDS;  
FIRST SIX ROUNDS, TWENTY-THREE SECONDS;  
RELOAD, SECOND SIX ROUNDS, TWENTY-THREE  
SECONDS.  
LOAD FIRST SIX ROUNDS.  
IS THE LINE READY?  
THE FIRING LINE IS READY.  
FIRERS, WATCH YOUR LANE!

(c) At the end of prescribed firing time, the tower operator commands:

CEASE FIRE.  
ARE THERE ANY ALIBIS?  
UNLOAD AND CLEAR ALL WEAPONS.  
LOAD SECOND SIX ROUNDS.  
IS THE LINE READY?  
THE FIRING LINE IS READY.  
FIRERS WATCH YOUR LANE!

(d) At the end of prescribed firing time, the tower operator commands:

CEASE FIRE.  
ARE THERE ANY ALIBIS?

NOTE: Allowable alibis are given two seconds for each round.

UNLOAD AND CLEAR ALL WEAPONS.  
IS THE FIRING LINE CLEAR?  
THE FIRING LINE IS NOW CLEAR.  
FIRERS AND SCORERS MOVE DOWNRANGE AND  
CHECK YOUR TARGETS.

NOTE: All weapons are cleared and left on a table, or they are left standing at the firing line with the cylinder in the open position. Then the firers and scorers move downrange to check their targets.

(3) Table 3: Crouch position.

(a) The tower operator orders the firers and scorers to move to the firing line. The scorers are issued 12 rounds of caliber .38 ammunition to be given to the firer on command.

(b) The tower operator commands:

TABLE THREE, CROUCH POSITION, TWELVE  
ROUNDS;  
FIRST SIX ROUNDS, TWENTY-THREE SECONDS;  
RELOAD, SECOND SIX ROUNDS, TWENTY-THREE  
SECONDS.

NOTE: All commands are the same as for Table 2.

(4) Table 4: Prone position.

(a) The tower operator orders the firers to move to the firing line. The firers are issued 10 rounds of caliber .38 ammunition.

(b) The tower operator orders:

TABLE FOUR, PRONE POSITION, TEN ROUNDS;  
FIRST SIX ROUNDS, TWENTY-THREE SECONDS;  
RELOAD, NEXT FOUR ROUNDS, EIGHTEEN  
SECONDS.

NOTE: All commands are the same as for Tables 1, 2, and 3. The scorers and firers replace all targets for the next firing order. Excess ammunition at the end of the course is turned in to the ammunition point.



- b. The commands for the revolver night fire for record are as follows:
- (1) The tower operator orders firers to move to the firing line. Scorers are issued 30 rounds to be given to the firer on command.
  - (2) The tower operator commands:

NIGHT FIRE, CROUCH POSITION, SIXTY  
SECONDS, SIX ROUNDS.  
RELOAD ONLY ON COMMAND.  
LOAD FIRST SIX ROUNDS.  
IS THE FIRING LINE READY?  
THE FIRING LINE IS READY.  
FIRERS, WATCH YOUR LANE.

- (3) At the end of the prescribed time, the tower operator commands:

CEASE FIRE  
ARE THERE ANY ALIBIS?

(Alibis are allowed 10 seconds for each round not fired.)

UNLOAD AND CLEAR ALL WEAPONS.

NOTE: These commands are repeated for each six rounds fired.

IS THE FIRING LINE CLEAR?  
THE FIRING LINE IS CLEAR.  
FIRERS AND SCORERS, MOVE DOWNRANGE AND  
CHECK YOUR TARGETS.

- c. The commands for the revolver NBC fire for record are as follows:
- (1) The tower operator orders firers to move to the firing line. Scorers are issued 20 rounds to be given to the firer on command.
  - (2) The tower operator commands:

GAS (Firers don protective masks.)  
NBC FIRING, CROUCH POSITION, FORTY  
SECONDS, SIX ROUNDS.  
RELOAD ONLY ON COMMAND.  
LOAD FIRST SIX ROUNDS.  
IS THE FIRING LINE READY?

THE FIRING LINE IS READY.  
FIRERS, WATCH YOUR LANE.

- (3) At the end of the prescribed time, the tower operator commands:

CEASE FIRE.  
ARE THERE ANY ALIBIS?

(Alibis are allowed eight seconds for each round not fired.)

UNLOAD AND CLEAR ALL WEAPONS.

NOTE: These commands are repeated for each six rounds fired.

IS THE FIRING LINE CLEAR?  
THE FIRING LINE IS NOW CLEAR.

(The tower operator also gives the command, ALL CLEAR.)

FIRERS AND SCORERS, MOVE DOWNRANGE AND CHECK YOUR TARGETS.

(All weapons are left on firing line with cylinders open.)

NOTE: The scorers and firers replace all targets for the next firing order. Excess ammunition at the end of a table is turned in to the scorer and is not used by the firer in subsequent tables. At the completion of all four tables, ammunition is turned in to the ammunition point.

### D-3. ALIBIS

If a malfunction of the weapon or the target occurs during firing, the scorer reports and records the malfunction. The firer is allowed one alibi at the completion of each table. All alibis are fired from the position in which the alibi occurs. Firing commands that apply are used to fire alibis.

### D-4. SCORING

- a. The firer is scored on the number of target hits during the prescribed time limit. He must achieve at least 24 hits and a score of 80 points to

### D-6

qualify. The target hits are then multiplied by the number inside the scoring rings to achieve a score. No credit is given for rounds fired after the command, CEASE FIRE. Shots that touch the next higher scoring ring are scored the next higher value (see Figure B-1).

b. The qualification scores are:

Expert - 160 to 200.

Sharpshooter - 120 to 159.

Marksman - 80 to 119.

NBC and Night Firing is done on a GO/NO-GO scoring system and recorded in the remarks column.

NBC 7 target hits = GO.

Night: 5 target hits = GO.

NOTE: For sample scorecard see Figure D-1.

c. Coaching is allowed during instructional firing but not during record fire. No one may assist the firer while he is taking position or after taking position at the firing point except for safety reasons.

ALTERNATE REVOLVER QUALIFICATION COURSE			
For use of this form, see FM 23-35; the Proponent agency is TRADOC.			
NAME (Last, First, MI) <i>Teutpeg Joe M.</i>			DATE <i>29 MAR 08</i>
LANE NO. <i>3</i>	ORDER <i>1</i>	UNIT <i>Coo 2/29 INF</i>	SSN <i>333-33-3333</i>
TABLE 1 - STANDING POSITION: 6 Rounds - 21 Seconds			
HITS <i>XXXXXX</i>		HITS <i>6</i>	
SCORE <i>554953</i>		SCORE <i>26</i>	
TABLE 2 - KNEELING POSITION: 6 Rounds - 23 Seconds; Reload Under Control of the Tower 6 Rounds - 23 Seconds			
HITS <i>XXXXXXXXMXXX</i>		HITS <i>11</i>	
SCORE <i>555559505555</i>		SCORE <i>54</i>	
TABLE 3 - CROUCH POSITION: 6 Rounds - 23 Seconds; Reload Under Control of the Tower 6 Rounds - 23 Seconds			
HITS <i>XXXXXXXXXX</i>		HITS <i>12</i>	
SCORE <i>555555553559</i>		SCORE <i>58</i>	
TABLE 4 - PRONE POSITION: 6 Rounds - 23 Seconds; Reload Without Command 4 Rounds - 18 Seconds			
HITS <i>XXXXXXXXXX</i>		HITS <i>9</i>	
SCORE <i>5555345530</i>		SCORE <i>40</i>	
QUALIFICATION: EXPERT 160-200 SHARPSHOOTER 120-159 MARKSMAN 80-119			TOTAL HITS <i>38</i> TOTAL SCORE <i>118</i>
SCORER'S SIGNATURE <i>Lawrence J. [Signature]</i>	DATE <i>29 MAR 08</i>	OFFICER'S SIGNATURE <i>David L. [Signature]</i>	DATE <i>27 MAR 08</i>
REMARKS: <i>NIGHT Fire - GO</i> <i>NBC Fire - GO</i>			
NOTES: 1. HITS ARE MARKED WITH "X." AND MISSES ARE MARKED WITH "M." 2. THE FIRER MUST ACHIEVE A MINIMUM OF 24 HITS AND A MINIMUM SCORE OF 80 TO QUALIFY.			
DATA REQUIRED BY PRIVACY ACT OF 1974 AUTHORITY: 10USC30129g / Executive Order 9397. PRINCIPAL PURPOSE(S): Record individual's performance on Record Fire Range. ROUTINE USE(S): Evaluation of individual's proficiency and basis for determination of award of proficiency badge. SSN is used for positive identification purposes only. MANDATORY OR VOLUNTARY DISCLOSURE AND EFFECT ON INDIVIDUAL NOT PROVIDING INFORMATION: Voluntary. Individuals not providing information cannot be rated/scored on a mass basis.			

Figure D-1. Example of completed Alternate Revolver Qualification Course form.

NOTE: See Appendix F for a blank copy of this form for local reproduction.

## APPENDIX E

### TRAINING SCHEDULES

To aid in the individual training phase, training schedules for the courses in pistol and revolver marksmanship training are described in this appendix. These schedules are based on the desirable number of training hours for a pistol or revolver course. They should be used as a guide in preparing lesson plans. Conditions may require a longer or shorter period to complete the training. When time is available, additional training should be included in the schedule. When suggested equipment and training aids are not available, the best that are available should be improvised or substituted. Each firer should be allowed 50 rounds for instructional firing and 40 rounds for record firing.

A. Pistol Semiautomatic, Caliber 9-mm, Caliber .45 M1911A1 Revolver, Caliber .38 (Practice or Instructional Firing Course (12 Hours))

Period	Hours		Lesson	References	Training Facilities	Training Aids
	Peace	Mobilization				
1	2	2	<p>MECHANICAL TRAINING (4 hours)</p> <p>Characteristics, disassembly and assembly, functioning, and care and cleaning.</p>	<p>TM 9-1005-317-10, TM 9-1005-211-12, and TM 9-1005-226-14.</p>	<p>Classroom or field.</p>	<p>For instructor chalkboard, working model, projector and screen, cleaning equipment (for each man). For each group: Table or suitable ground cloth.</p>
2	2	2	<p>Malfunctions, stoppages, immediate action, loading, unloading ammunition, and safety precautions.</p>	<p>TM 9-1005-317-10, TM 9-1005-211-12, and TM 9-1005-226-14.</p>	<p>....do....</p>	<p>Same as period 1, plus ammunition display.</p>
3	3	3	<p>PREPARATORY MARKSMANSHIP TRAINING (6 Hours)</p> <p>Coaching, aiming, grip, positions, trigger squeeze (to include double-action), target engagement, pencil triangulation exercise (M1911A1 only), slow fire exercise.</p>	<p>Chapter 2 this manual.</p>	<p>....do....</p>	<p>For each man: One pistol with magazine, sheet of 1/8-inch bull's-eyes, pencil with masking or cellophane tape. For all: E-silhouette.</p>
4	2	2	<p>RANGE FIRING (2 Hours)</p> <p>Instructional firing Tables 1, 2, 3, 4, &amp; 5, Combat Pistol Qualification Course.</p>	<p>App A this manual.</p>	<p>Live-fire range.</p>	<p>Equipment used in period 6 of the qualification course.</p>

B Pistol, Semiautomatic, Caliber 9-mm, Caliber .45 M1911A1;  
 Revolver, Caliber .38 (Qualification Course) (12 Hours)

Period	Hours		Lesson	References	Training Facilities	Training Aids
	Peace	Mobilization				
			RANGE FIRING (4 Hours)			
5	2	2	Instructional firing combat pistol qualification course, for practice with a coach or instructor.	Existing range regulations. App A, this manual.	Pistol range.	For all: All equipment used for periods 3 and 4 plus scorecard and ammunition.
6	2	2	Record firing, Tables 1, through 5, combat pistol qualification course.	App A, this manual.	....do....	.....do.....

B. Pistol, Semiautomatic, Caliber 9-mm, Caliber .45 M1911A1;  
 Revolver, .38 (Qualification Course) (12 Hours) (Continued)

Period	Hours		Lesson	References	Training Facilities	Training Aids
	Peace	Mobilization				
1	2	2	<p><b>MECHANICAL TRAINING</b> (4 hours)</p> <p>Characteristics, disassembly, and assembly, functioning and care and cleaning.</p>	<p>TM 9-1005-317-10, TM 9-1005-211-12, and TM 9-1005-226-14.</p>	Classroom or field.	<p>For instructor: chalkboard, working model, projector and screen, cleaning equipment (for each man). For each group: Table or suitable ground cloth.</p>
2	2	2	<p>Malfunctions, stoppages, immediate action, loading, unloading, ammunition, and safety precautions.</p>	<p>TM 9-1005-317-10, TM 9-1005-211-12, and TM 9-1005-226-14.</p>	....do....	<p>Same as period 1 plus ammunition display.</p>
3	2	2	<p><b>PREPARATORY MARKSMANSHIP TRAINING</b> (4 Hours)</p> <p>Coaching, aiming, grip, positions, trigger squeeze (to include double-action). Target engagement, pencil triangulation exercise (M1911A1 only), slow-fire exercise.</p>	<p>Chapter 2 this manual.</p>	....do....	<p>For each man: One pistol with magazine, sheet of 1/8-inch bull's-eyes, pencil with masking or cellophane tape. For all: E-silhouette.</p>
4	2	2	<p>Review and examination.</p>	<p>All previous references</p>	....do....	<p>For all All equipment used in previous periods.</p>



APPENDIX F  
REPRODUCIBLE FORMS

<b>ALTERNATE PISTOL QUALIFICATION COURSE</b>																																	
For use of this form, see FM 23-35; the Proponet agency is TRADOC.																																	
NAME: (Last, First, MI)			DATE																														
LANE NO.	ORDER	UNIT	SSN																														
<b>TABLE 1 - STANDING POSITION: 1 Magazine - 7 Rounds - 21 Seconds</b> <div style="display: flex; justify-content: space-between; align-items: flex-start; margin-top: 10px;"> <div style="text-align: center;"> HITS <table border="1" style="display: inline-table; border-collapse: collapse; width: 100px; height: 15px;"><tr><td> </td><td> </td><td> </td><td> </td><td> </td><td> </td><td> </td></tr></table>  SCORE <table border="1" style="display: inline-table; border-collapse: collapse; width: 100px; height: 15px;"><tr><td> </td><td> </td><td> </td><td> </td><td> </td><td> </td><td> </td></tr></table> </div> <div style="text-align: right;"> HITS _____  SCORE _____ </div> </div>																																	
<b>TABLE 2 - KNEELING POSITION: First Magazine - 6 Rounds - 45 Seconds Second Magazine - 7 Rounds</b> <div style="display: flex; justify-content: space-between; align-items: flex-start; margin-top: 10px;"> <div style="text-align: center;"> HITS <table border="1" style="display: inline-table; border-collapse: collapse; width: 150px; height: 15px;"><tr><td> </td><td> </td><td> </td><td> </td><td> </td><td> </td><td> </td><td> </td><td> </td><td> </td><td> </td><td> </td><td> </td><td> </td><td> </td></tr></table>  SCORE <table border="1" style="display: inline-table; border-collapse: collapse; width: 150px; height: 15px;"><tr><td> </td><td> </td><td> </td><td> </td><td> </td><td> </td><td> </td><td> </td><td> </td><td> </td><td> </td><td> </td><td> </td><td> </td><td> </td></tr></table> </div> <div style="text-align: right;"> HITS _____  SCORE _____ </div> </div>																																	
<b>TABLE 3 - CROUCH POSITION: 2 Magazines - 5 Rounds Each - 35 Seconds</b> <div style="display: flex; justify-content: space-between; align-items: flex-start; margin-top: 10px;"> <div style="text-align: center;"> HITS <table border="1" style="display: inline-table; border-collapse: collapse; width: 100px; height: 15px;"><tr><td> </td><td> </td><td> </td><td> </td><td> </td><td> </td><td> </td><td> </td><td> </td><td> </td></tr></table>  SCORE <table border="1" style="display: inline-table; border-collapse: collapse; width: 100px; height: 15px;"><tr><td> </td><td> </td><td> </td><td> </td><td> </td><td> </td><td> </td><td> </td><td> </td><td> </td></tr></table> </div> <div style="text-align: right;"> HITS _____  SCORE _____ </div> </div>																																	
<b>TABLE 4 - PRONE POSITION: 2 Magazines - 5 Rounds Each - 35 Seconds</b> <div style="display: flex; justify-content: space-between; align-items: flex-start; margin-top: 10px;"> <div style="text-align: center;"> <table border="1" style="display: inline-table; border-collapse: collapse; width: 100px; height: 15px;"><tr><td> </td><td> </td><td> </td><td> </td><td> </td><td> </td><td> </td><td> </td><td> </td><td> </td></tr></table>  <table border="1" style="display: inline-table; border-collapse: collapse; width: 100px; height: 15px;"><tr><td> </td><td> </td><td> </td><td> </td><td> </td><td> </td><td> </td><td> </td><td> </td><td> </td></tr></table> </div> <div style="text-align: right;"> HITS _____  SCORE _____ </div> </div>																																	
<b>QUALIFICATION:</b> <div style="display: flex; justify-content: space-between; align-items: center; margin-top: 5px;"> <div style="text-align: center;"> EXPERT 160-200  SHARPSHOOTER 120-169  MARKSMAN 80-119 </div> <div style="text-align: right;"> TOTAL HITS _____  TOTAL SCORE _____ </div> </div>																																	
SCORER'S SIGNATURE	DATE	OFFICER'S SIGNATURE	DATE																														
REMARKS:																																	
NOTES: 1. HITS ARE MARKED WITH "X," AND MISSES ARE MARKED WITH "M." 2. THE FIRER MUST ACHIEVE A MINIMUM OF 24 HITS AND A MINIMUM SCORE OF 80 POINTS TO QUALIFY.																																	
<b>DATA REQUIRED BY PRIVACY ACT OF 1974</b> AUTHORITY: 10USC30129g / Executive Order 9397. PRINCIPAL PURPOSE(S): Records individual's performance on Record Fire Range. ROUTINE USE(S): Evaluation of individual's proficiency and basis for determination of award of proficiency badge. SSN is used for positive identification purposes only. MANDATORY OR VOLUNTARY DISCLOSURE AND EFFECT ON INDIVIDUAL NOT PROVIDING INFORMATION: Voluntary. Individuals not providing information cannot be rated/scored on a mass basis.																																	

DA Form 5704-R, SEP 88

Figure F-1. DA Form 5704-R,  
Alternate Pistol Qualification Course.

<b>ALTERNATE REVOLVER QUALIFICATION COURSE</b>													
For use of this form, see FM 23-35; the Proponet agency is TRADOC.													
NAME (Last, First, MI)			DATE										
LANE NO.	ORDER	UNIT	SSN										
<b>TABLE 1 - STANDING POSITION: 6 Rounds - 21 Seconds</b>													
HITS <table border="1" style="display: inline-table; border-collapse: collapse;"><tr><td style="width: 15px; height: 15px;"></td><td style="width: 15px; height: 15px;"></td><td style="width: 15px; height: 15px;"></td><td style="width: 15px; height: 15px;"></td><td style="width: 15px; height: 15px;"></td><td style="width: 15px; height: 15px;"></td></tr></table>								HITS _____					
SCORE <table border="1" style="display: inline-table; border-collapse: collapse;"><tr><td style="width: 15px; height: 15px;"></td><td style="width: 15px; height: 15px;"></td><td style="width: 15px; height: 15px;"></td><td style="width: 15px; height: 15px;"></td><td style="width: 15px; height: 15px;"></td><td style="width: 15px; height: 15px;"></td></tr></table>								SCORE _____					
<b>TABLE 2 - KNEELING POSITION: 6 Rounds - 23 Seconds; Reload Under Control of the Tower</b>													
<b>6 Rounds - 23 Seconds</b>													
HITS <table border="1" style="display: inline-table; border-collapse: collapse;"><tr><td style="width: 15px; height: 15px;"></td><td style="width: 15px; height: 15px;"></td><td style="width: 15px; height: 15px;"></td><td style="width: 15px; height: 15px;"></td><td style="width: 15px; height: 15px;"></td><td style="width: 15px; height: 15px;"></td><td style="width: 15px; height: 15px;"></td><td style="width: 15px; height: 15px;"></td><td style="width: 15px; height: 15px;"></td><td style="width: 15px; height: 15px;"></td></tr></table>												HITS _____	
SCORE <table border="1" style="display: inline-table; border-collapse: collapse;"><tr><td style="width: 15px; height: 15px;"></td><td style="width: 15px; height: 15px;"></td><td style="width: 15px; height: 15px;"></td><td style="width: 15px; height: 15px;"></td><td style="width: 15px; height: 15px;"></td><td style="width: 15px; height: 15px;"></td><td style="width: 15px; height: 15px;"></td><td style="width: 15px; height: 15px;"></td><td style="width: 15px; height: 15px;"></td><td style="width: 15px; height: 15px;"></td></tr></table>												SCORE _____	
<b>TABLE 3 - CROUCH POSITION: 6 Rounds - 23 Seconds; Reload Under Control of the Tower</b>													
<b>6 Rounds - 23 Seconds</b>													
HITS <table border="1" style="display: inline-table; border-collapse: collapse;"><tr><td style="width: 15px; height: 15px;"></td><td style="width: 15px; height: 15px;"></td><td style="width: 15px; height: 15px;"></td><td style="width: 15px; height: 15px;"></td><td style="width: 15px; height: 15px;"></td><td style="width: 15px; height: 15px;"></td><td style="width: 15px; height: 15px;"></td><td style="width: 15px; height: 15px;"></td><td style="width: 15px; height: 15px;"></td><td style="width: 15px; height: 15px;"></td></tr></table>												HITS _____	
SCORE <table border="1" style="display: inline-table; border-collapse: collapse;"><tr><td style="width: 15px; height: 15px;"></td><td style="width: 15px; height: 15px;"></td><td style="width: 15px; height: 15px;"></td><td style="width: 15px; height: 15px;"></td><td style="width: 15px; height: 15px;"></td><td style="width: 15px; height: 15px;"></td><td style="width: 15px; height: 15px;"></td><td style="width: 15px; height: 15px;"></td><td style="width: 15px; height: 15px;"></td><td style="width: 15px; height: 15px;"></td></tr></table>												SCORE _____	
<b>TABLE 4 - PRONE POSITION: 6 Rounds - 23 Seconds; Reload Without Command</b>													
<b>4 Rounds - 18 Seconds</b>													
HITS <table border="1" style="display: inline-table; border-collapse: collapse;"><tr><td style="width: 15px; height: 15px;"></td><td style="width: 15px; height: 15px;"></td><td style="width: 15px; height: 15px;"></td><td style="width: 15px; height: 15px;"></td><td style="width: 15px; height: 15px;"></td><td style="width: 15px; height: 15px;"></td><td style="width: 15px; height: 15px;"></td><td style="width: 15px; height: 15px;"></td><td style="width: 15px; height: 15px;"></td><td style="width: 15px; height: 15px;"></td></tr></table>												HITS _____	
SCORE <table border="1" style="display: inline-table; border-collapse: collapse;"><tr><td style="width: 15px; height: 15px;"></td><td style="width: 15px; height: 15px;"></td><td style="width: 15px; height: 15px;"></td><td style="width: 15px; height: 15px;"></td><td style="width: 15px; height: 15px;"></td><td style="width: 15px; height: 15px;"></td><td style="width: 15px; height: 15px;"></td><td style="width: 15px; height: 15px;"></td><td style="width: 15px; height: 15px;"></td><td style="width: 15px; height: 15px;"></td></tr></table>												SCORE _____	
<b>QUALIFICATION:</b>													
EXPERT 160-200		TOTAL HITS _____											
SHARPSHOOTER 120-159		TOTAL SCORE _____											
MARKSMAN 80-119													
SCORER'S SIGNATURE	DATE	OFFICER'S SIGNATURE	DATE										
REMARKS:													
<p>NOTES: 1. HITS ARE MARKED WITH "X," AND MISSES ARE MARKED WITH "M."</p> <p>2. THE FIRER MUST ACHIEVE A MINIMUM OF 24 HITS AND A MINIMUM SCORE OF 80 TO QUALIFY.</p>													
<p>DATA REQUIRED BY PRIVACY ACT OF 1974</p> <p>AUTHORITY: 10USC30129g / Executive Order 9397. PRINCIPAL PURPOSE(S): Record individual's performance on Record Fire Range. ROUTINE USE(S): Evaluation of individual's proficiency and basis for determination of award of proficiency badge. SSN is used for positive identification purposes only. MANDATORY OR VOLUNTARY DISCLOSURE AND EFFECT ON INDIVIDUAL NOT PROVIDING INFORMATION: Voluntary. Individuals not providing information cannot be rated/scored on a mass basis.</p>													

DA Form 5705-R, SEP 88

Figure F-2. DA Form 5705-R,  
Alternate Revolver Qualification Course.

## GLOSSARY

APQC	alternate pistol qualification course
ARQC	alternate revolver qualification course
AR	Army regulation
CID	criminal investigations division
CPQC	combat pistol qualification course
CTA	common table of allowances
DA	Department of the Army
FM	field manual
HQ	headquarters
mm	millimeter
NATO	North Atlantic Treaty Organization
NBC	nuclear, biological, chemical
NG	Army National Guard
OIC	officer in charge
QTTD	quick-fire target training device
RQC	revolver qualification course
TM	technical manual
TRADOC	US Army Training and Doctrine Command
USAR	United States Army Reserve

## REFERENCES

### Required Publications

Required publications are sources that users must read in order to understand or to comply with this publication.

#### Army Regulation (AR)

385-63 Policies and Procedures for Firing Ammunition for Training Target Practice, and Combat.

#### Department of the Army Forms (DA Forms)

88 Combat Pistol Qualification Course Scorecard  
5704-R Alternate Pistol Qualification Course  
5705-R Alternate Revolver Qualification Course

#### Technical Manuals (TMs)

9-1005-206-14&P1 Operator's, Organizational, Direct Support and General Support Maintenance Manual Including Repair Parts and Special Tools List for Revolver, Caliber .38 Special: Smith and Wesson, Military and Police, M10, Round Butt, 4-Inch Barrel, 2-Inch Barrel; Square Butt, 4-Inch Barrel and Revolver, Caliber .38 Special: Ruger Service Six, 4-Inch Barrel, M108; Square Butt w/o Lanyard Loop, w/Lanyard and Round Butt w/Lanyard Loop.

9-1005-211-12 Operator and Organizational Maintenance Manual (Including Basic Issue Items List and Repair Parts and Special Tools List): Pistol, Caliber .45, Automatic, M1911A1, with Holster, Hip (1005-673-7965); with Holster, Shoulder (1005-561-2003).

## Training Manuals (TMs) Continued

- 9-1005-226-14      Operation and Unit Maintenance:  
Caliber .22 High Standard  
Automatic Pistol (Supermatic)  
Caliber .22 Ruger Mark I  
Automatic Pistol (Target Model)  
(6 7/8-Inch Barrel); Caliber .38  
Special Smith and Wesson  
Revolver (Masterpiece); Caliber  
.30-06 Winchester Rifle, Model 70  
(Special Match Grade; Caliber .22  
Winchester Rifle, Model 52;  
Caliber .22 Remington Rifle,  
40x51 (National Match) and Front  
and Rear Sights.
- 9-1005-317-10      Operator's Manual for Pistol,  
Semiautomatic, 9-mm, M9  
(1005-01-118-2640)
- 9-1300-200          Ammunition, General.

### Related Publications

Related publications are sources of additional information. They are not required in order to understand this publication.

### Army Regulations (ARs)

- 140-1                Marksmanship Training and  
Competitive Program.
- 350-6                Army-Wide Small Arms Competitive  
Marksmanship.
- 920-30              Rules and Regulations for  
National Matches and other  
Excellence-in-Competitive (EIC)  
Matches.

### Common Tables of Allowances (CTAs)

- 8-100                Army Medical Department  
Expendable/Durable Items.
- 50-970              Expendable/Durable Items  
(Except: Medical, Class V,  
Repair Parts and Heraldic Items).

Department of the Army Pamphlet (DA Pam)

350-38 Standards in Weapons Training  
738-750 The Army Maintenance Management  
System (TAMMS).

Field Manuals (FMs)

3-4 NBC Protection.  
3-5 NBC Decontamination.  
21-11 First Aid for Soldiers.  
21-75 Combat Skills of the Soldier.  
25-7 Training Ranges.

Technical Manuals (TMs)

9-1005-211-35 Direct Support, General Support,  
and Depot Maintenance Manual  
(Including Repair Parts and  
Special Tools List): Pistol,  
Caliber .45, M1911A, with Holster  
(1005-673-7965) and M1911A1  
(1005-561-2003).

9-1005-317-23&P Unit and Intermediate Direct  
Support Maintenance Manual  
Maintenance Manual Including  
Repair Parts and Special Tools  
List for Pistol, Semiautomatic,  
9-mm, M9 (1005-01-118-2640).

9-1300-206 Ammunition and Explosives  
Standards.

9-6920-210-14 Operator's, Organizational,  
Direct Support and General  
Support Maintenance Manual (In-  
cluding Basic Issue Items List  
and Repair Parts List) for Small  
Arms Targets and Target  
Material.

43-0001-27 Army Ammunition Data Sheets:  
Small Caliber Ammunition.

**FM 23-35**

**3 OCTOBER 1988**

By Order of the Secretary of the Army:

**CARL E. VUONO**  
*General, United States Army*  
*Chief of Staff*

Official:

**WILLIAM J. MEEHAN II**  
*Brigadier General, United States Army*  
*The Adjutant General*

DISTRIBUTION:

*Active Army, USAR, and ARNG:* To be distributed in accordance with DA Form 12-11A, Requirements for Pistols and Revolvers (Qty rqr block no. 200).