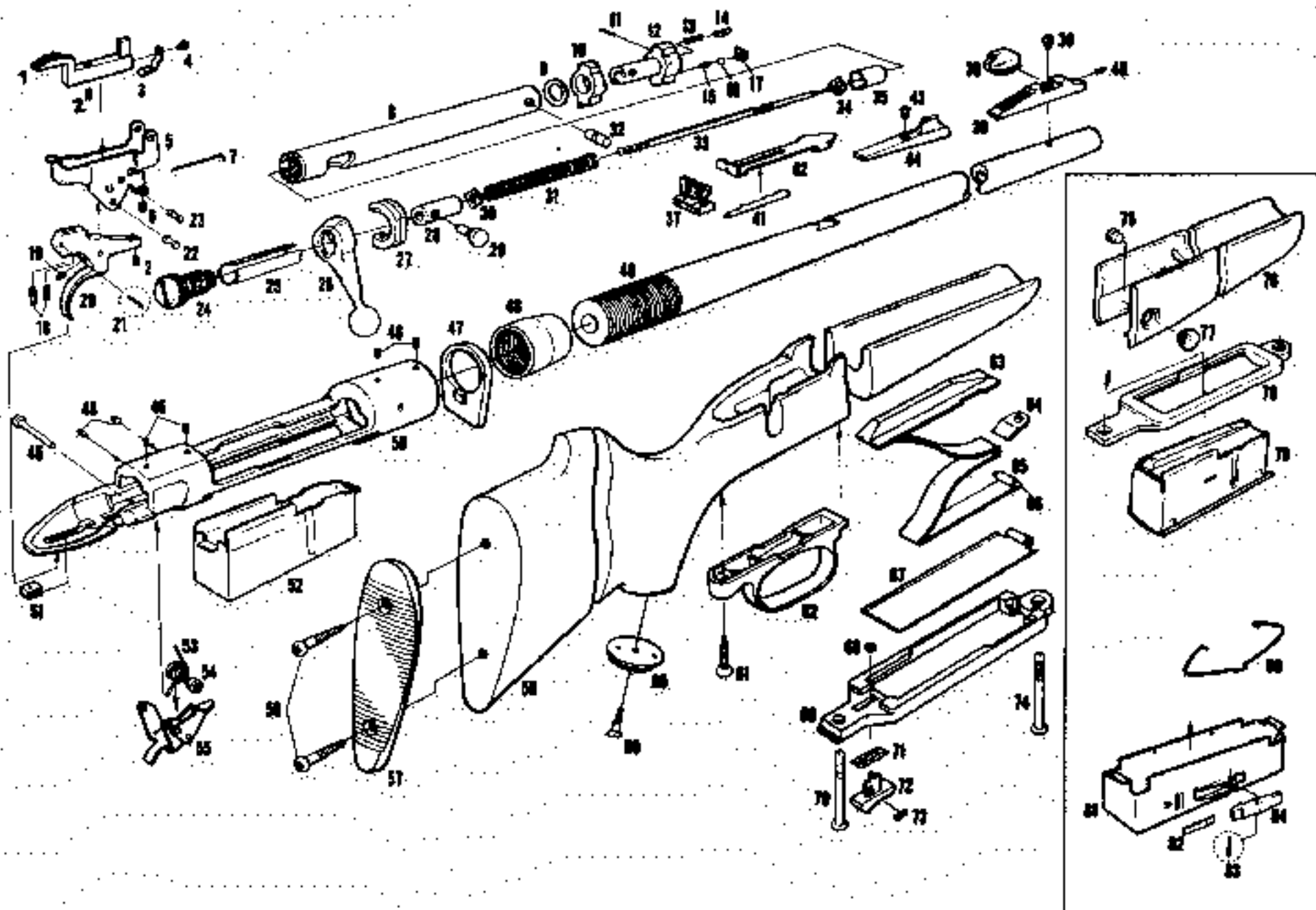


Savage Models 110C, D and E, Series K Bolt Action Rifles



- 1 Safety
- 2 Trigger Pull Adjusting Screws (2)
- 3 Safety Detent Spring
- 4 Safety Detent Spring Screw
- 5 Trigger Bracket
- 6 Trigger Pull Adjusting Screw
- 7 Trigger Pull Adjusting Spring
- 8 Bolt Body
- 9 Front Baffle Friction Washer
- 10 Front Baffle
- 11 Ejector Retaining Pin
- 12 Bolt Head Assembly
- 13 Ejector Spring
- 14 Ejector
- 15 Extractor Spring
- 16 Extractor Detent Ball
- 17 Extractor
- 18 Trigger Travel Adjusting Screws (2)
- 19 Trigger Pin Retaining Screw
- 20 Trigger
- 21 Trigger Spring Pin
- 22 Trigger Pin
- 23 Safety Bearing Pin
- 24 Bolt Assembly Screw
- 25 Cocking Piece Sleeve
- 26 Bolt Handle
- 27 Rear Baffle
- 28 Cocking Piece
- 29 Cocking Piece Pin

- 30 Cocking Piece Link Washer
- 31 Mainspring
- 32 Bolt Head Retaining Pin
- 33 Firing Pin
- 34 Firing Pin Stop Nut Washer
- 35 Firing Pin Stop Nut
- 36 Front Sight
- 37 Rear Sight
- 38 Front Sight Base
- 39 Front Sight Screw
- 40 Front Sight Adjusting Screw
- 45 Sear Pin
- 46 Dummy Screws (6)
- 47 Recoil Lug
- 48 Barrel Lock Nut
- 49 Barrel
- 50 Receiver
- 51 Trigger Adjusting Screw Cover
- 52 Magazine Box
- 53 Sear Spring
- 54 Sear Bushing
- 55 Sear
- 56 Buttplate Screws (2)
- 57 Buttplate
- 58 Stock
- 59 Pistol Grip Cap Screw
- 60 Pistol Grip Cap
- 61 Trigger Guard Screw
- 62 Trigger Guard

- 63 Magazine Follower Assembly
- 64 Hinge Plate Spring
- 65 Magazine Spring
- 66 Hinge Pin
- 67 Hinge Plate
- 68 Magazine Latch Retaining Ring
- 69 Floorplate
- 70 Floorplate Screw (Rear)
- 71 Magazine Latch Spacer
- 72 Magazine Latch
- 73 Magazine Latch Spring
- 74 Floorplate Screw (Front)

Parts for Model 110E Series K Only

- 41 Rear Sight Step
- 42 Rear Sight
- 43 Front Sight Screw
- 44 Front Sight Assembly

Parts for Model 110C Series K Only

- 75 Magazine Latch Button
- 77 Escutcheon
- 78 Floorplate
- 79 Magazine Assembly
- 80 Magazine Ejector Spring
- 81 Magazine Guide
- 82 Magazine Latch Spring
- 83 Magazine Latch Pin
- 84 Magazine Latch